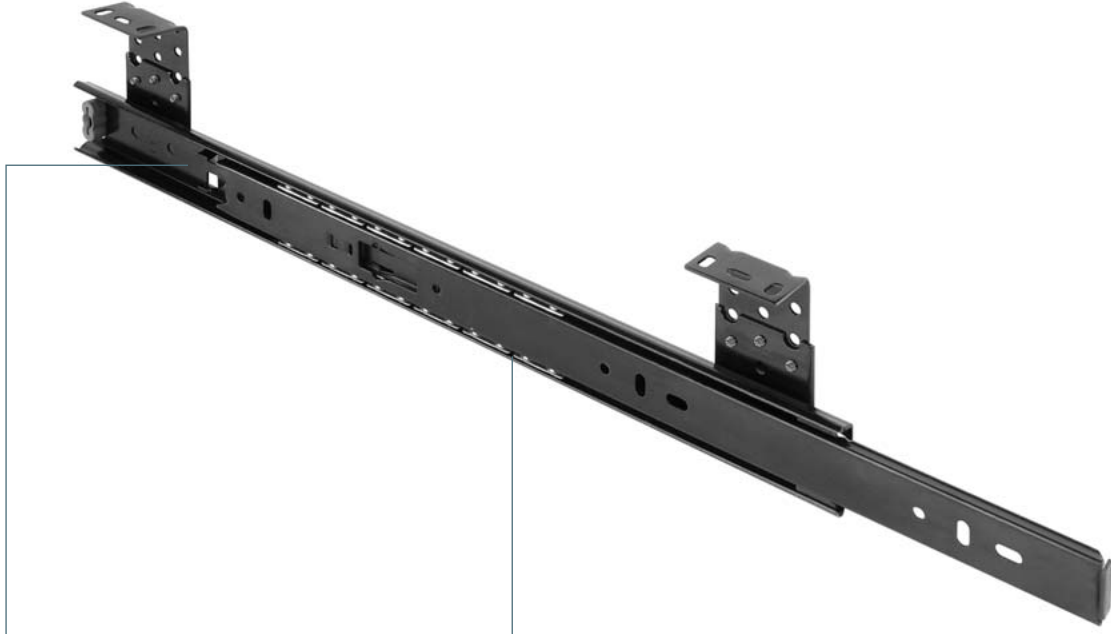


FR 5060

SLIDE TYPE:	Regular-Extension Ball Bearing Keyboard Slide
MOUNTING:	Top Mount

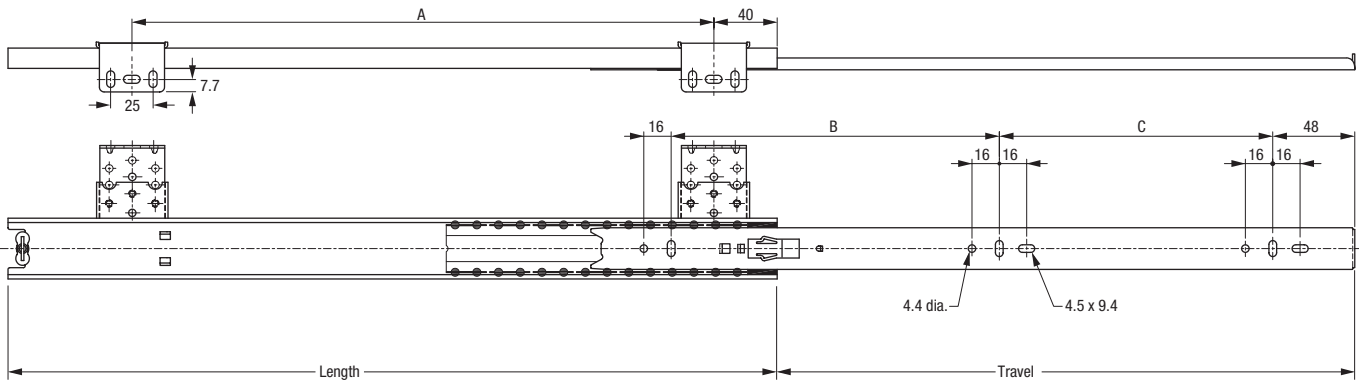
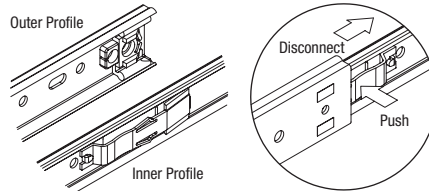
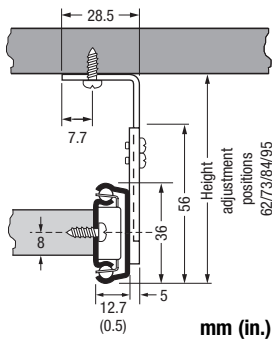
WIDTH:	12.7 mm (0.5 in.)
LOAD CAPACITY:	dynamic up to 34 kg (75 lbs.)



MATERIAL:	cold rolled steel
------------------	-------------------

FEATURES:	steel ball bearings
------------------	---------------------

SPECIFICATIONS:	<ul style="list-style-type: none"> ▶ adjustable top mount brackets with four height positions ▶ positive out-stop in open position ▶ easy push and click disconnect ▶ drawer profile features an easy to operate disconnect finger latch with outstop and disconnect
------------------------	--



Length	Travel		A		B		C		Weight	Order No.	Order No.
	mm	in	mm	in	mm	in	mm	in			
300	11.81	225 8.85	224 8.81	96 3.78	128 5.03	*	61107	*			
350	13.77	263 10.35	256 10.07	128 5.03	128 5.03	*	61100	61108			
400	15.74	300 11.81	320 12.59	192 7.55	128 5.03	*	61103	61101			
450	17.71	338 13.30	352 13.86	192 7.55	160 6.30	*	61105	61104			
500	19.68	375 14.76	416 16.37	224 8.81	192 7.55	*	61106	61109			
550	21.65	413 16.25	480 18.89	256 10.07	192 7.55	*	*	*			
600	23.62	450 17.71	512 20.15	288 11.33	224 8.81	*	*	*			
650	25.59	488 19.21	544 21.41	288 11.33	256 10.07	*	*	*			

Packing Unit: **10 pair per box (brackets and screws included)** * on request