

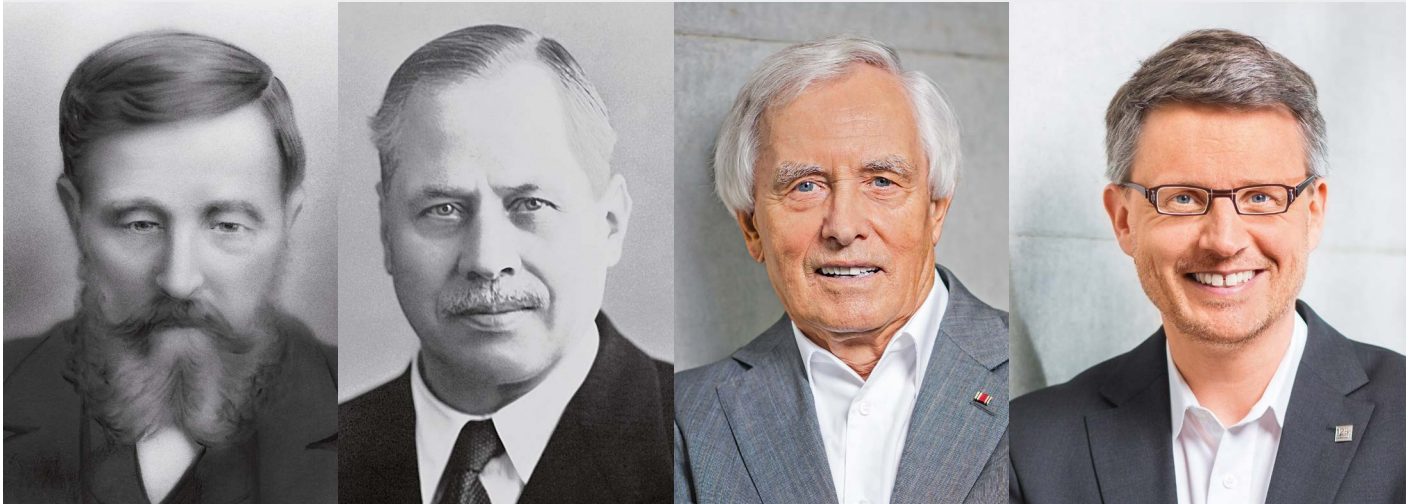


Bringing rooms together:
Architectural sliding door system
TopLine Grant SD / HD / XHD

Technik für Möbel


Hettich

Thank you for choosing Hettich!



Outstanding engineering achievements. Entrepreneurial courage. And a reliable instinct for the needs of the market. These are the cornerstones of Hettich's success – the same ones we've been building on for over 125 years. Back in 1888 Karl Hettich designed a machine that revolutionized the production of anchor escapements for Black Forest cuckoo clocks. In 1928, August Hettich turned towards the furniture industry with an innovative production line for piano hinges.

Encouraged by further achievements, brothers Paul, August and Franz Hettich set up a new company at Herford in 1930. Kirchlingern became headquarters in 1966. Our company has been a wholly owned family business ever since – now with Dr. Andreas Hettich at the helm as the fourth generation managing director.

Introducing: Hettich USA



Cabinet and room dividing hardware technology is our competence and passion. Our products set the benchmark for function, quality and comfort. The brand Hettich symbolizes a strong partnership with the Kitchen and Bath, Residential, Office, Distribution and Appliance industries. Our today is dedicated to designing a successful tomorrow for cabinets as well as for room dividing systems. Our products answers the call for efficient, functional, and flexible solutions from urban apartments, family homes, to office complexes. Through our brand values (Quality, Innovation, Reliability and Closeness to customers) we will pave the way to future successes. Hettich is a German based, family owned, global supplier of hinges, drawer slides, drawer systems and sliding/folding hardware. We have production facilities located in North America, Europe and Asia. TopLine Grant is proudly manufactured in our North American facility located in Buford, Georgia. A true benefit for our North American partners through production turnaround and shortened delivery times.



Architectural sliding door system TopLine Grant SD / HD / XHD



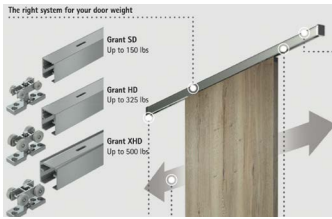
Architectural sliding door system

- ▶ TopLine Grant SD / HD / XHD
- ▶ Content



Bringing rooms together / Key aspects at a glance

4 – 9



Application overview

10

Range summary / Technical comparison

11



TopLine Grant SD

- ▶ Performance summary
- ▶ System overview
- ▶ System components

12 – 13

14

15 – 21



TopLine Grant HD

- ▶ Performance summary
- ▶ System overview
- ▶ System components

22 – 23

24

25 – 31



TopLine Grant XHD

- ▶ Performance summary
- ▶ System overview
- ▶ System components

32 – 33

34

35 – 40



Installation in brief

42 – 43



Technical information

- ▶ Calculation door weights
- ▶ Quality criteria

44 – 45

46 – 47



For further information, go to <https://www.hettich.com/short/22611b>

- ▶ Detailed installation instruction
- ▶ CAD data
- ▶ Assembly video



Whether space efficient sliding door systems for small flats or spacious solutions for the loft apartment, sliding door solutions from Hettich make spaces more attractive, practical and versatile.

In modern, spacious interior design, sliding door systems are the perfect creative element for any room. Because large surface doors impressively pick up on purist room aesthetics and create versatile practical/living spaces.



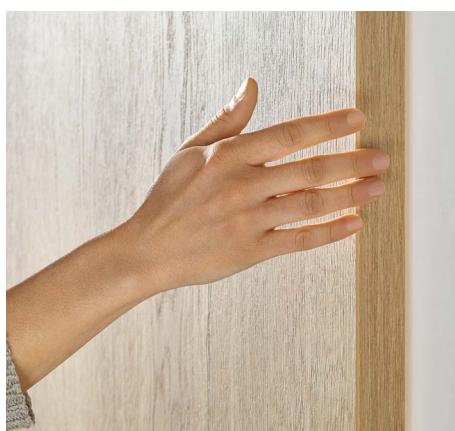
Yet sliding doors also lend an attractive simplicity and sense of space to small rooms while optimizing storage efficiency.

Discover home living with a new, individual touch and get the ultimate in ergonomic practicality and use of space. Make more of your rooms – with sliding door systems from Hettich.

Easy and convenient to use:
TopLine Grant SD/HD/XHD



Opens and closes very heavy doors in silence:
The first soft stop system for doors weighing up to 147 kg (325 lbs).



Gentle movement:
Minimal opening force provides practical convenience. A simple movement of the hand is all it takes to open and close the door gently.



Protects Fingers. Gentle on doors:
Silent System automatically slows the door down as it closes, bringing it to a gentle halt. All very safely.

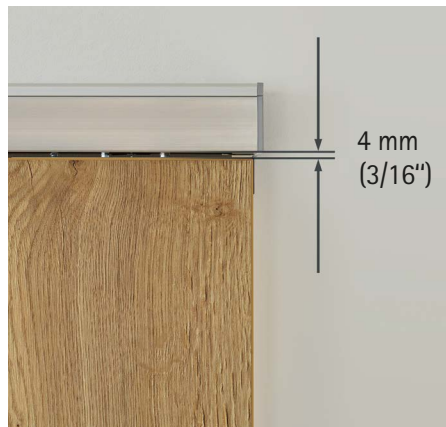


Barrier-free without trip hazard:
No profiles on the floor. A small floor guide is all it takes to keep the door straight.

A perfect design supplement: TopLine Grant SD/HD/XHD



Narrow doors, full convenience:
Soft opening and closing capabilities
for doors with a minimum width.



Design perfectly complemented:
Narrow reveals can be produced
by the low head profile system.



Well balanced design, perfect convenience:
Silent System invisibly integrated
in the profile.

Easy to install: TopLine Grant SD/HD/XHD

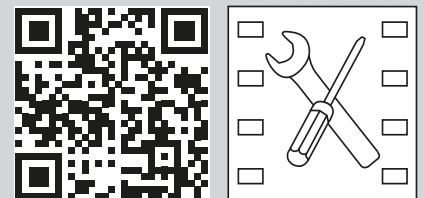


End stop and activator are easy to fit:
Just screws on to the track. No pre-drilling necessary. No irritating aluminum chips in the profile. Positioning easily adjusted.



Takes up very little space:
Silent System can be inserted into the profile with a minimum of space.

<http://www.hettich.com/short/6bcfac>

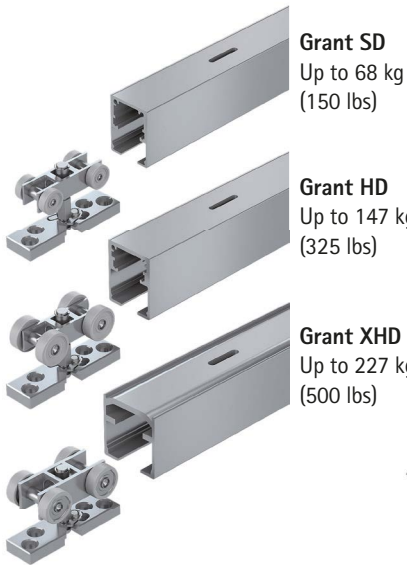


Easy installation:
Have a look on our installation animation for Grant SD / HD / XHD.

Architectural sliding door system

► Application overview

The right system for your door weight

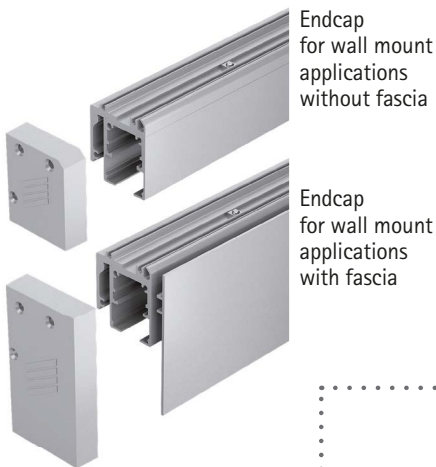


Wall or header mount

Header mount
For traditional header mounted pocket and sliding doors

Wall mount
The wall mount bracket is ideal for single and bi-parting applications

Final design tuning for wall mount applications



Choose your gap-design

Basic
For pocket doors and applications with wooden or no fascias

Fascia
Hardware is hidden by an aluminum fascia

Low profile
Hardware is hidden in the door. Small gaps up to 4 mm (3/16")

Choose your level of comfort

With Silent System

The fully concealed Silent System brings softly cushioned action to sliding doors in every direction: in opening and in closing

Without Silent System



End stops hold door in place

Keep the door aligned
Floor guide

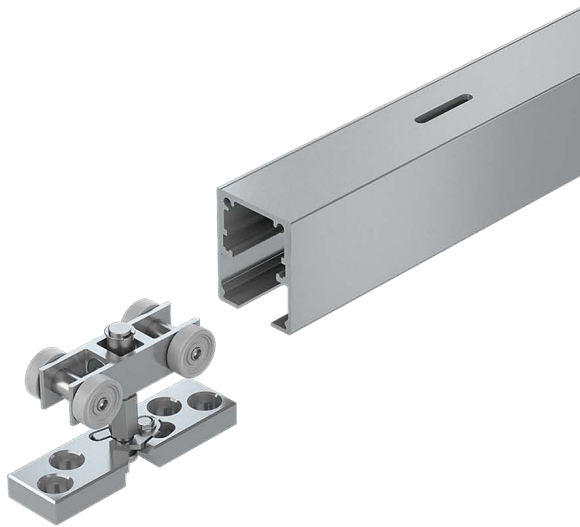


Architectural sliding door system

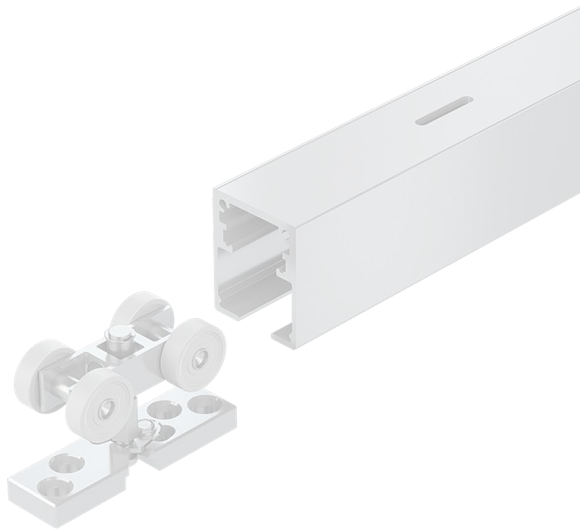
► Range summary / technical comparison

	 <p>TopLine Grant SD</p>	 <p>TopLine Grant HD</p>	 <p>TopLine Grant XHD</p>
Page	12 – 21	22 – 31	32 – 40
Door weight	68 kg max. (150 lbs max.)	147 kg max. (325 lbs max.)	227 kg max. (500 lbs max.)
Application	Single doors, By-passing doors, Bi-parting doors	Single doors, By-passing doors, Bi-parting doors	Single doors, By-passing doors, Bi-parting doors
Mounting position	Wall mount, Header mount	Wall mount, Header mount	Wall mount, Header mount
Silent System	Soft closing, Soft opening	Soft closing, Soft opening	–
Low profile	Yes	Yes	Yes
Fascia	Yes	Yes	Yes
Height adjustment	12 mm (1/2")	12 mm (1/2")	10 mm (3/8")
Door thickness	25 mm min. (1" min.)	25 mm min. (1" min.)	25 mm min. (1" min.)
Door width mm	762 – 2400 mm (30 – 94")	762 – 2400 mm (30 – 94")	762 – 2400 mm (30 – 94")
Door height mm	3000 mm max. (118" max.)	3000 mm max. (118" max.)	3000 mm max. (118" max.)

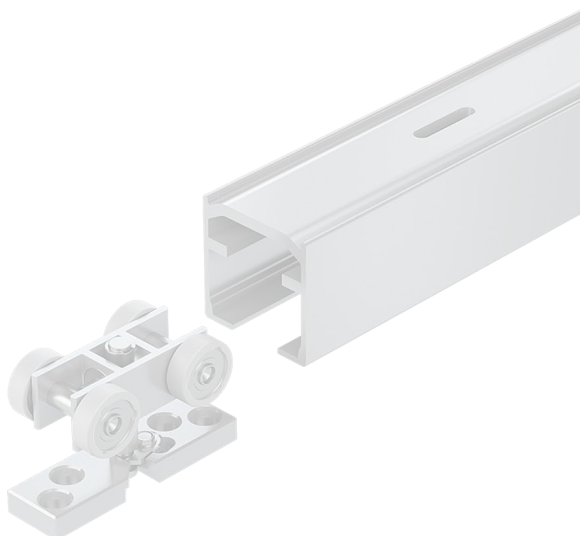
- ▶ TopLine Grant SD
- ▶ Performance summary



Grant SD
Up to 68 kg (150 lbs)



Grant HD
Up to 147 kg (325 lbs)



Grant XHD
Up to 227 kg (500 lbs)

Architectural sliding door system

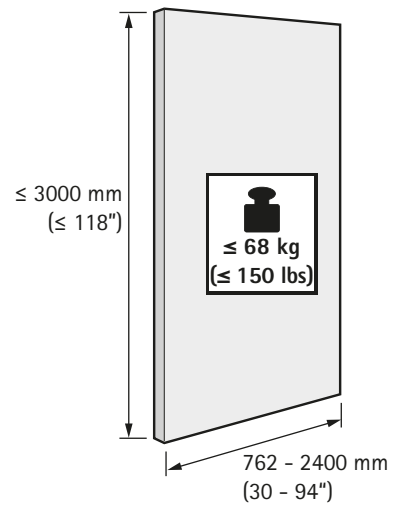


- ▶ **TopLine Grant SD**
- ▶ **Performance summary**

Technical details in brief

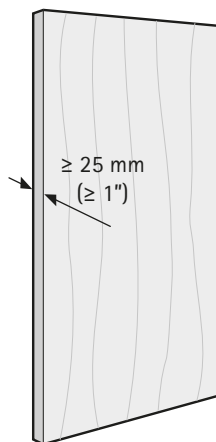
- ▶ The TopLine Grant SD series is a medium duty commercial and residential grade sliding door hardware series ideal for single and bi-parting installations. Applications include doors between rooms, closet doors, cabinets and storage walls.
- ▶ Soft closing, soft opening
- ▶ Precision ball bearing wheels ensure a smooth, quiet and long lasting performance
- ▶ Self-leveling design allows for even distribution of load for maximum performance and durability
- ▶ 1/2" vertical adjustment; minimal headroom required
- ▶ Aluminium box track
- ▶ Cushioned end stops holds door in place
- ▶ Wall mount bracket available
- ▶ Fascia available
- ▶ Meets and/or exceeds ANSI/BHMA standards

Door format and door weight



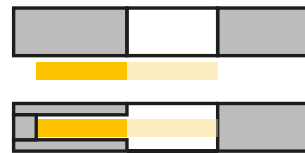
see pages 44 - 45

Door material



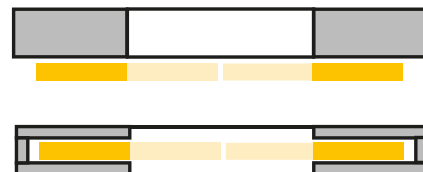
Number of door wings and door position

Single



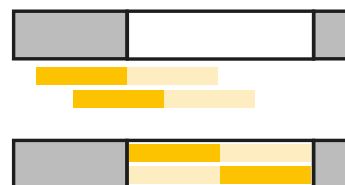
Bi-parting

Use additional set of hardware



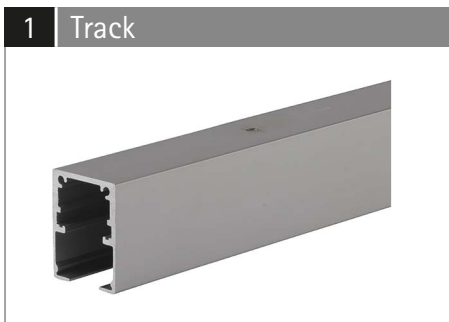
By-passing

Mounting two parallel tracks



Architectural sliding door system

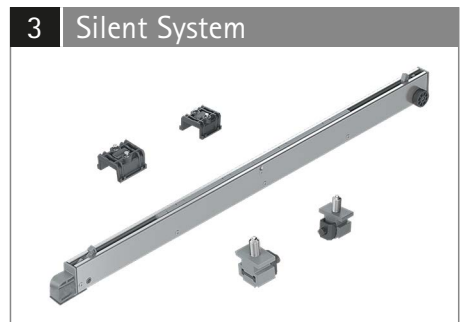
- ▶ TopLine Grant SD
- ▶ System overview



Tracks in several lengths



Choose low profile for a sleek and elegant look or standard hardware



Compliments your door with more comfort and safety



For wall mount applications



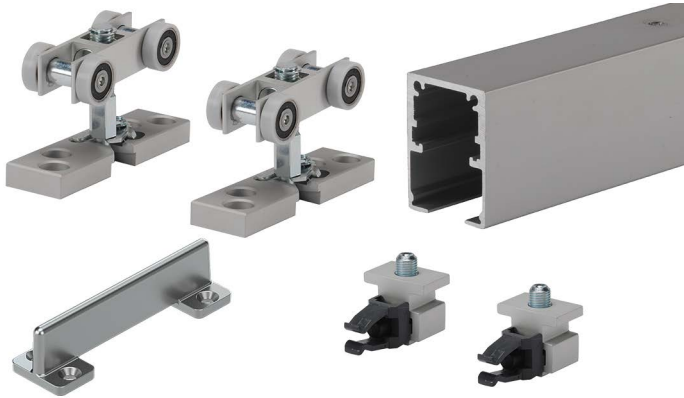
Hide your gap with a fascia



Final design tuning with endcaps

- ▶ TopLine Grant SD
- ▶ System components

All inclusive sets



- ▶ Set contains all components for a 1 door application with basic gap design

Set comprises:

- ▶ **1** Track (aluminium, anodized)
- ▶ **2** Hardware set

Advice:

- ▶ For longer track application order hardware set and track separately
- ▶ You can update your all inclusive set with
 - 3** Silent System
 - 4** Wall mount bracket
 - 5** Fascia
 - 6** Endcaps

Length mm	Length ft.	Order no.	PU
1219	4	9 200 611	1 set
1524	5	9 200 613	1 set
1829	6	9 200 614	1 set
2438	8	9 200 616	1 set
3048	10	9 200 617	1 set

Flexible Sets

1 Single track SD



- ▶ Aluminium, anodized
- ▶ Easy attachment due to pre-punched screw slots

Advice:

- ▶ Screws are not included. Recommend 31.8 mm (#10 x 1 1/4") panhead

Length mm	Length ft.	Order no.	PU
1219	4	9 199 834	1 ea.
1524	5	9 199 835	1 ea.
1829	6	9 199 836	1 ea.
2438	8	9 199 838	1 ea.
3048	10	9 199 839	1 ea.
3658	12	9 199 840	1 ea.
4879	16	9 199 841	1 ea.

Architectural sliding door system



- ▶ TopLine Grant SD
- ▶ System components

2 Hardware set - Choose between the low profile hardware set for a sleek and elegant look or the standard hardware set

2a Low profile hardware set SD



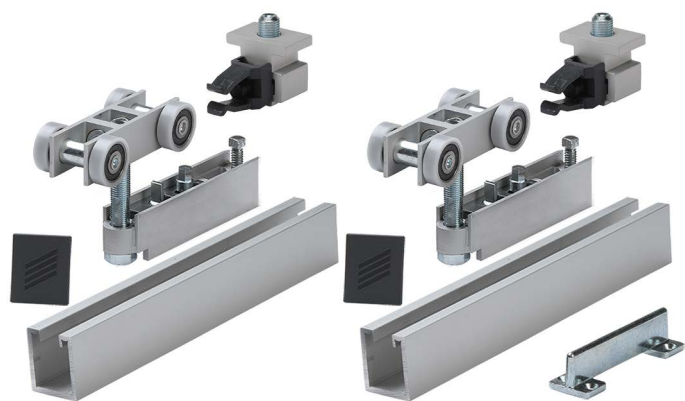
- ▶ Creates a sleek and elegant look: Minimizes the gap at the top of the door with a minimum reveal of 4 mm (3/16")
- ▶ Ideal also for restricted headroom application
- ▶ Aluminium construction
- ▶ Set contains components for a 1-door application

Set comprises:

- ▶ 1 floor guide
- ▶ 2 end stops
- ▶ 2 carrier assemblies – each assembly contains:
 - 1 channel
 - 1 support insert
 - 1 carrier
 - 1 end cap
- ▶ Wrench
- ▶ Fixing screws

Advice:

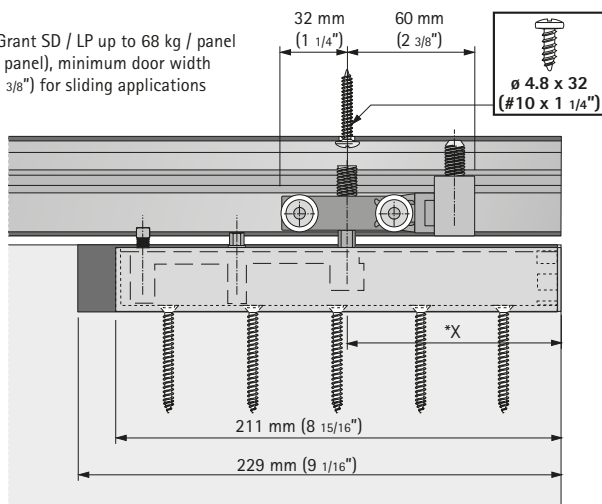
- ▶ Door thickness min. 35 mm (1 3/8")
- ▶ Please order profiles separately



Order no.	PU
9 203 725	1 set

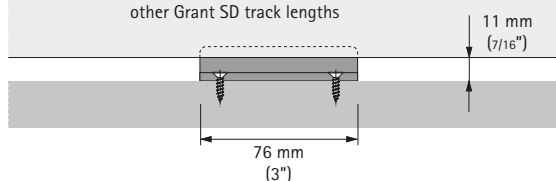
Planning dimensions

Top Line Grant SD / LP up to 68 kg / panel
(150 lbs / panel), minimum door width
35 mm (1 3/8") for sliding applications

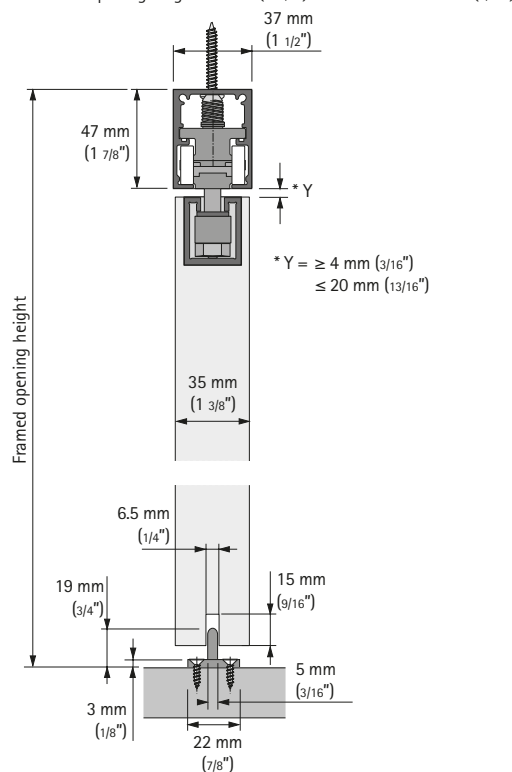


*X = 76 mm (3") for use with
Grant SD 5' or 7' track

*X = 102 mm (4") for use with all
other Grant SD track lengths



Framed opening height 47 mm (1 7/8") + Y + Panel + 11 mm (7/16")



- ▶ TopLine Grant SD
- ▶ System components

2b Standard hardware set SD



▶ Set contains components for a 1-door application

Set comprises:

- ▶ 2 carriers with precision ball bearing wheels and adjustable pendant bolts
- ▶ 2 top plates
- ▶ 2 endstops
- ▶ 1 floor guide
- ▶ Fixing screws

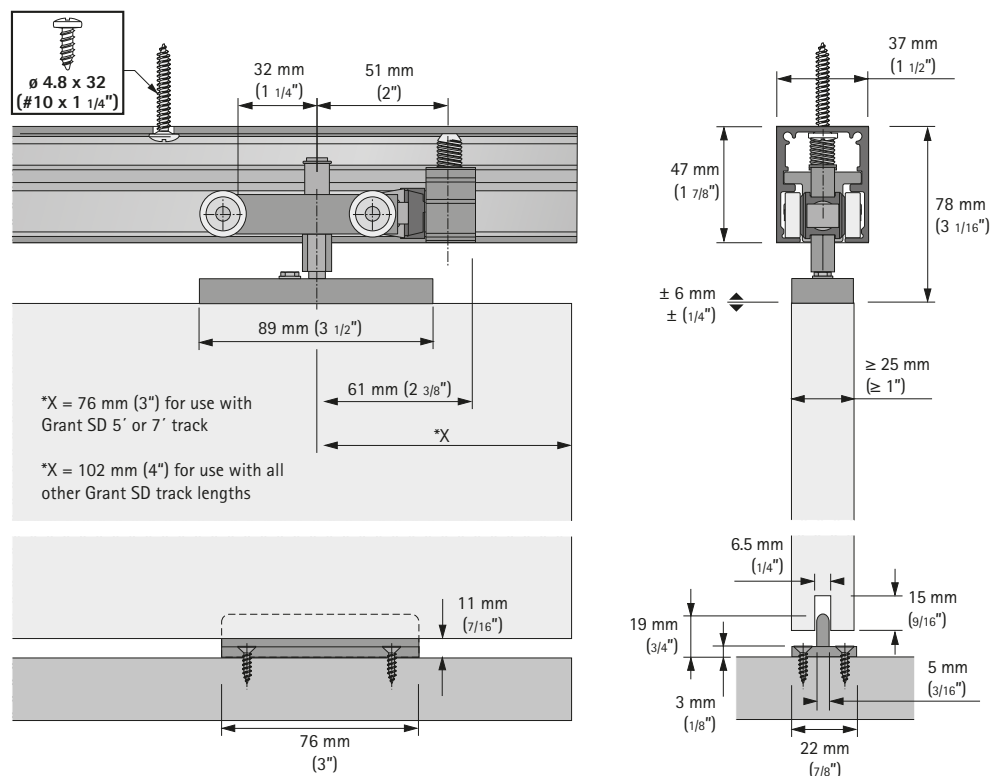
Advice:

- ▶ Please order profiles separately

Order no.	PU
9 191 124	1/10 set



Planning dimensions



- ▶ TopLine Grant SD
- ▶ System components

3 Silent System SD



- ▶ Quietly and gently opening and closing sliding doors
- ▶ Suitable for door weight up to 68 kg (150 lbs)
- ▶ Set contains all Silent System components for a 1-door application

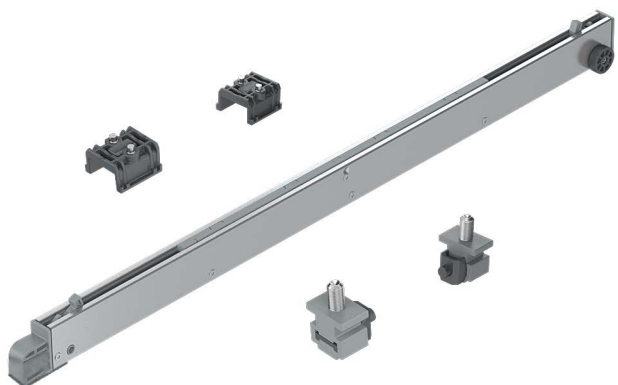
Set comprises:

- ▶ 1 Silent System unit SD
- ▶ 2 activators SD
- ▶ 2 end stop for Silent System SD
- ▶ 1 torx wrench key TX15
- ▶ Fixing screws

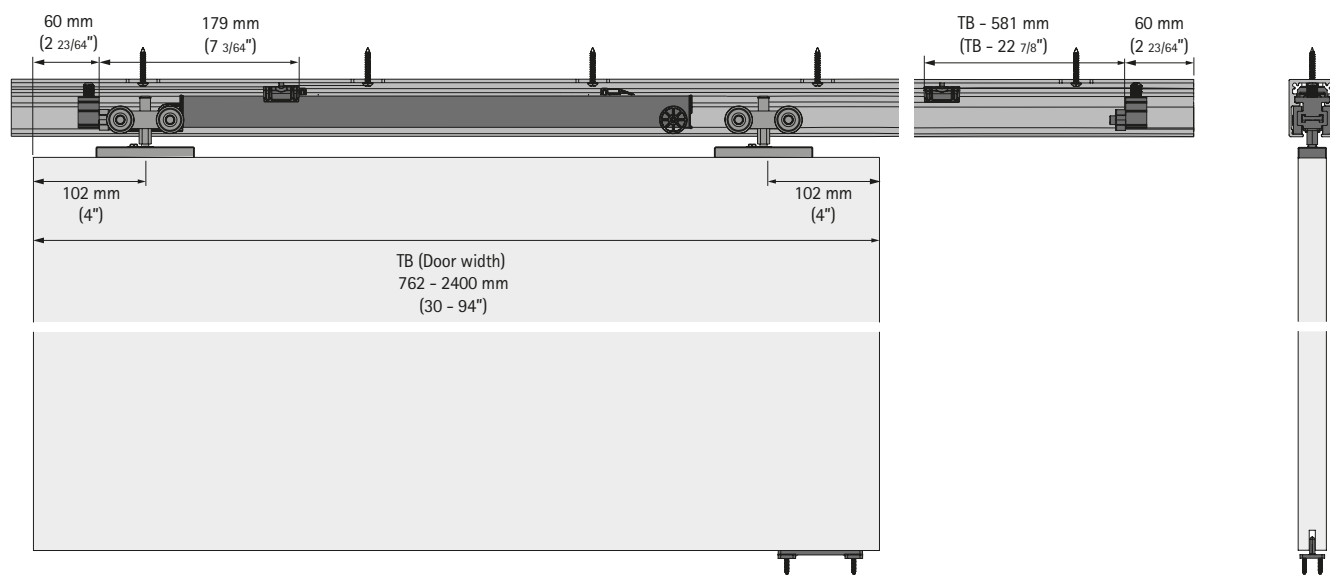
Advice:

- ▶ Door width 762 mm (30") minimum

Order no.	PU
9 235 608	1 set



Planning dimensions



- ▶ TopLine Grant SD
- ▶ System components

4 Wall mount bracket SD/HD



- ▶ Ideal for single and bi-parting applications where traditional header mounter pocket and sliding doors are not desired or cannot be structurally installed
- ▶ Suitable for 25 mm (1") to 50 mm (2") doors
- ▶ Aluminium, anodized

Set comprises:

- ▶ 1 wall mount bracket
- ▶ Wall mounting screws
- ▶ Fixing screws and nuts for attaching the track

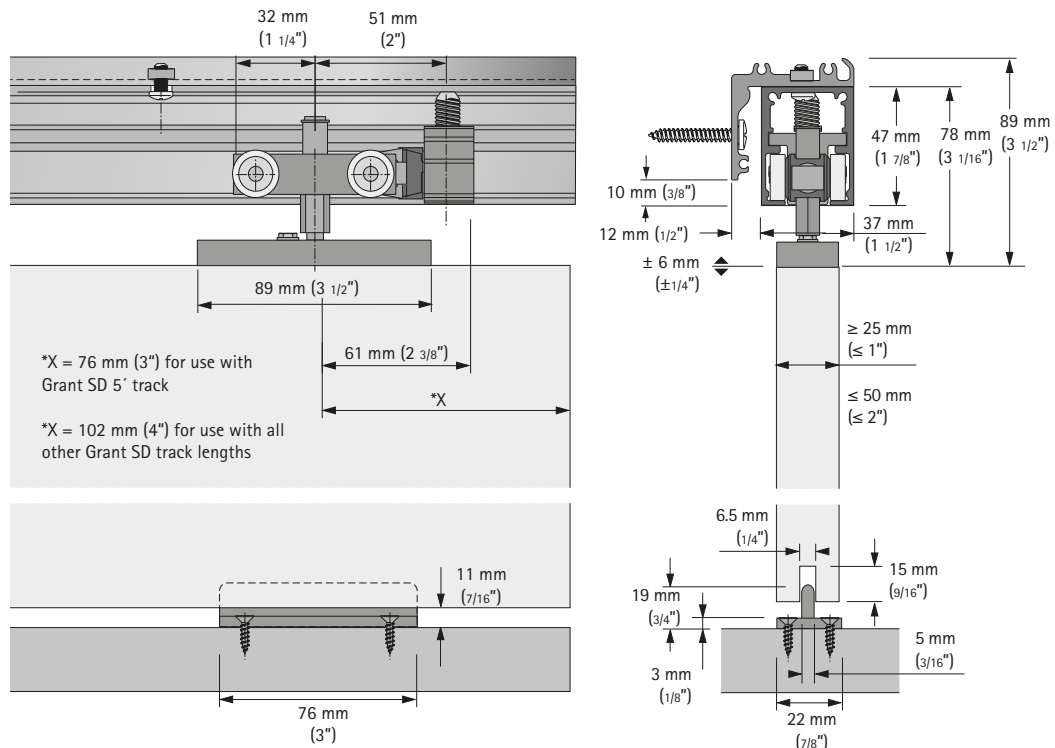
Advice:

- ▶ Please order running profile separately
- ▶ End stops required on all wall mount applications



Length mm	Length ft.	Order no.	PU
1829	6	9 202 898	1 set
2438	8	9 202 899	1 set
4877	16	9 202 902	1 set

Planning dimensions



- ▶ TopLine Grant SD
- ▶ System components

5 Fascia SD/HD/XHD

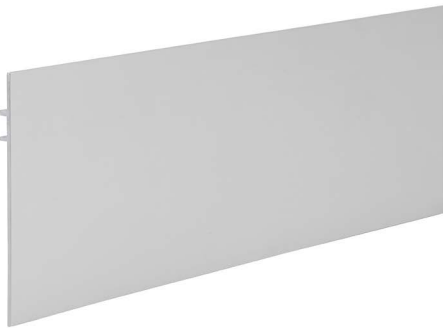


- ▶ Hide your gap between profile and door
- ▶ For header mount or wall mount application
- ▶ Easy to install: Just snap into fascia clips
- ▶ Suitable for 25 mm (1") to 44 mm (1 3/4") doors
- ▶ Aluminium, anodized

Advice:

- ▶ Please order fascia clips separately
- ▶ Fascia is not necessary for combination with low head profile hardware set

Length mm	Length ft.	Order no.	PU
1829	6	9 203 732	1 ea.
2438	8	9 203 733	1 ea.
4879	16	9 203 746	1 ea.



Set header mount fascia clip



Set comprises:

- ▶ 5 header mount fascia clips
- ▶ Fixing screws

Advice:

- ▶ Any fascia over 8 ft. long requires 2 sets of clips

Order no.	PU
9 203 751	1/100 set

Set wall mount fascia clip



Set comprises:

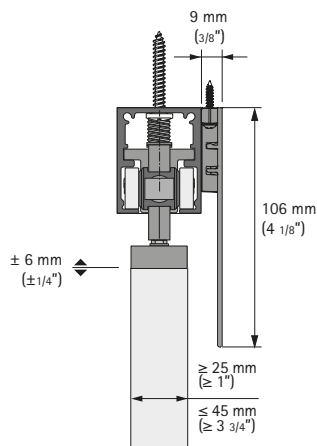
- ▶ 5 wall mount fascia clips
- ▶ Fixing screws

Advice:

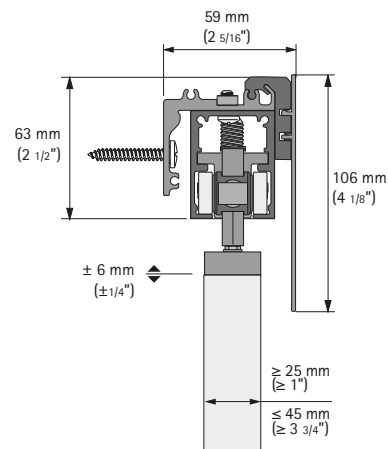
- ▶ Any fascia over 8 ft. long requires 2 sets of clips

Order no.	PU
9 203 752	1/100 set

Planning dimensions

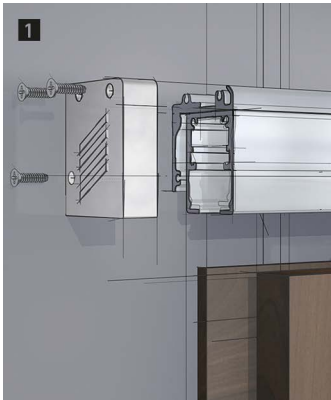


Planning dimensions



- ▶ TopLine Grant SD
- ▶ System components

6 Wall mount endcap SD



- Final design tuning for wall mount applications:
- ▶ **1** Endcap for wall mount applications without fascia
 - ▶ **2** Endcap for wall mount applications with fascia

Endcap SD without fascia



- ▶ Plastic, aluminium colored finish

Set comprises:

- ▶ 1 right hand endcap
- ▶ 1 left hand endcap
- ▶ Fixing screws

Order no.	PU
9 202 941	1 set

Endcap SD/HD with fascia

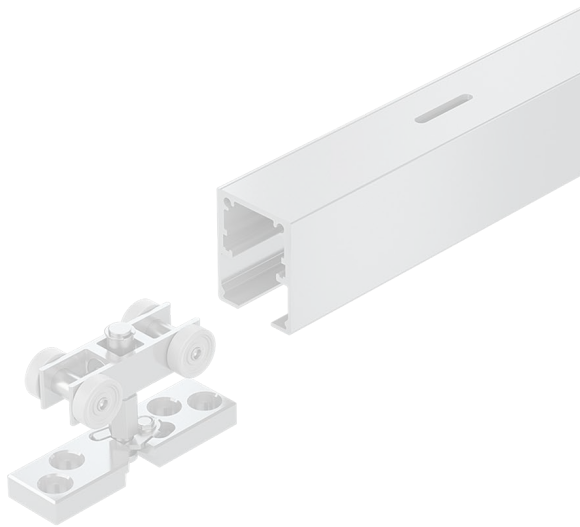


- ▶ Plastic, aluminium colored finish

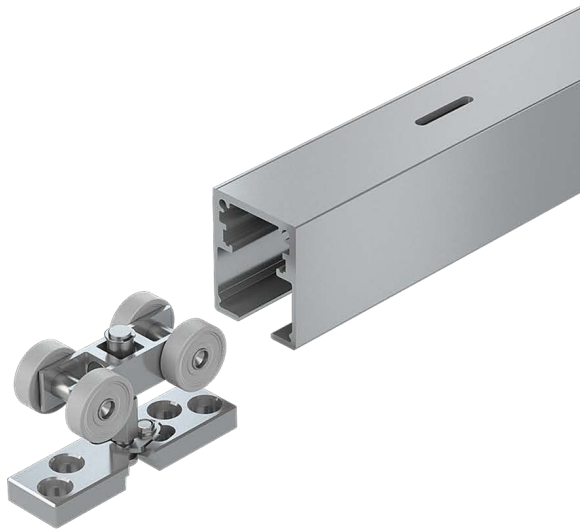
Set comprises:

- ▶ 1 right hand endcap
- ▶ 1 left hand endcap
- ▶ Fixing screws

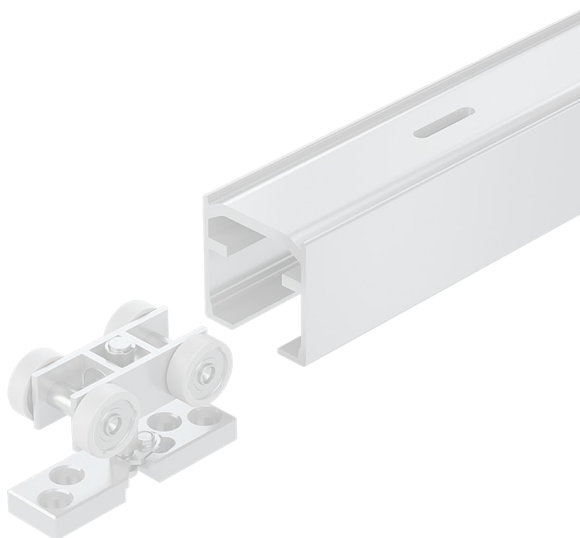
Order no.	PU
9 202 943	1 set



Grant SD
Up to 68 kg (150 lbs)



Grant HD
Up to 147 kg (325 lbs)



Grant XHD
Up to 227 kg (500 lbs)

Architectural sliding door system

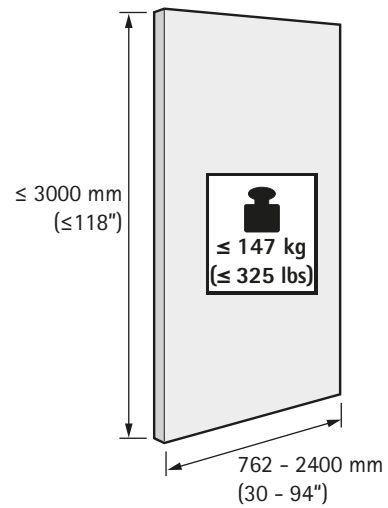


- ▶ **TopLine Grant HD**
- ▶ **Performance summary**

Technical details in brief

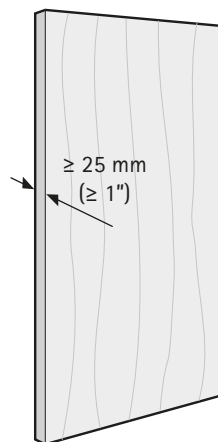
- ▶ The TopLine Grant HD series is a heavy duty commercial and residential grade sliding door hardware series ideal for single and bi-parting installations. Applications include doors between rooms, closet doors, cabinets and storage walls.
- ▶ Soft closing, soft opening
- ▶ Precision ball bearing wheels ensure a smooth, quiet and long lasting performance
- ▶ Self-leveling design allows for even distribution of load for maximum performance and durability
- ▶ 1/2" vertical adjustment; minimal headroom required
- ▶ Heavy duty aluminium box track
- ▶ Cushioned end stops holds door in place
- ▶ Wall mount bracket available
- ▶ Fascia available
- ▶ Meets and/or exceeds ANSI/BHMA standards

Door format and door weight



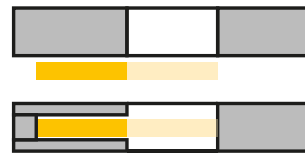
see pages 44 - 45

Door material



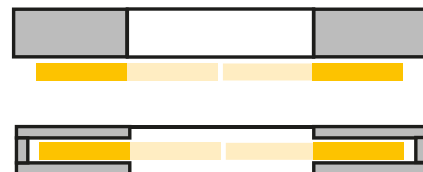
Number of door wings and door position

Single



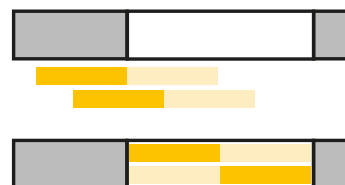
Bi-parting

Use additional set of hardware



By-passing

Mounting two parallel tracks



Architectural sliding door system

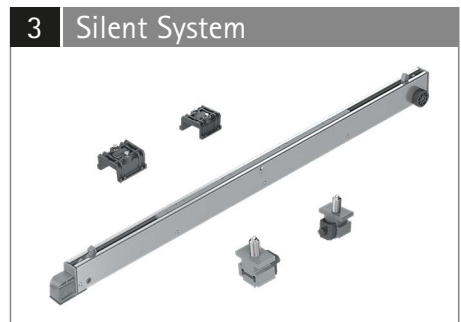
- ▶ TopLine Grant HD
- ▶ System overview



Tracks in several lengths



Choose low profile hardware for a sleek and elegant look or standard hardware



Compliments your door with more comfort and safety



For wall mount applications



Hide your gap with a fascia



Final design tuning with endcaps

- ▶ TopLine Grant HD
- ▶ System components

All inclusive sets



- ▶ Set contains all components for a 1 door application with basic gap design

Set comprises:

- ▶ **1** Track (aluminium, anodized)
- ▶ **2** Hardware set

Advice:

- ▶ For longer track application order hardware set and track separately
- ▶ You can update your all inclusive set with
 - 3** Silent System
 - 4** Wall mount bracket
 - 5** Fascia
 - 6** Endcaps

Length mm	Length ft.	Order no.	PU
1219	4	9 201 506	1 set
1524	5	9 201 507	1 set
1829	6	9 201 508	1 set
2438	8	9 201 510	1 set
3048	10	9 201 511	1 set
3658	12	9 201 512	1 set

Flexible sets

1 Single track HD



- ▶ Aluminium, anodized
- ▶ Easy attachment due to pre-punched screw slots

Advice:

- ▶ Screws are not included. Recommend 31.8 mm (#10 x 1 1/4") panhead

Length mm	Length ft.	Order no.	PU
1219	4	9 201 444	1 ea.
1524	5	9 201 445	1 ea.
1829	6	9 201 446	1 ea.
2438	8	9 201 460	1 ea.
3048	10	9 201 461	1 ea.
3658	12	9 201 462	1 ea.
4879	16	9 201 463	1 ea.

Architectural sliding door system



- ▶ TopLine Grant HD
- ▶ System components

2 Hardware set - Choose between the low profile hardware set for a sleek and elegant look or the standard hardware set

2a Low profile hardware set HD



- ▶ Creates a sleek and elegant look: Minimizes the gap at the top of the door with a minimum reveal of 4 mm (3/16")
- ▶ Ideal also for restricted headroom application
- ▶ Aluminium construction
- ▶ Set contains components for a 1-door application

Set comprises:

- ▶ 1 floor guide
- ▶ 2 end stops
- ▶ 2 carrier assemblies – each assembly contains:
 - 1 channel
 - 1 support insert
 - 1 carrier
 - 1 end cap
- ▶ Wrench
- ▶ Fixing screws

Advice:

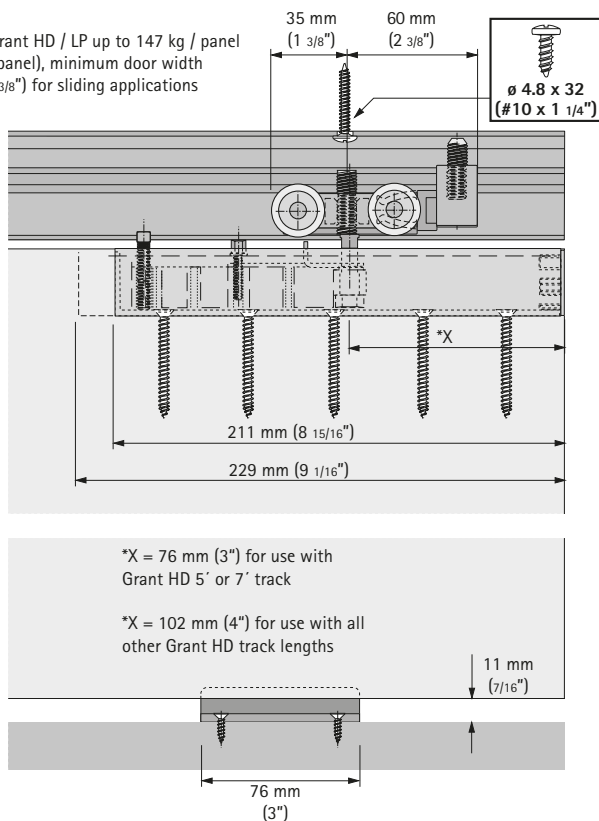
- ▶ Door thickness min. 35 mm (1 3/8")
- ▶ Please order profiles separately



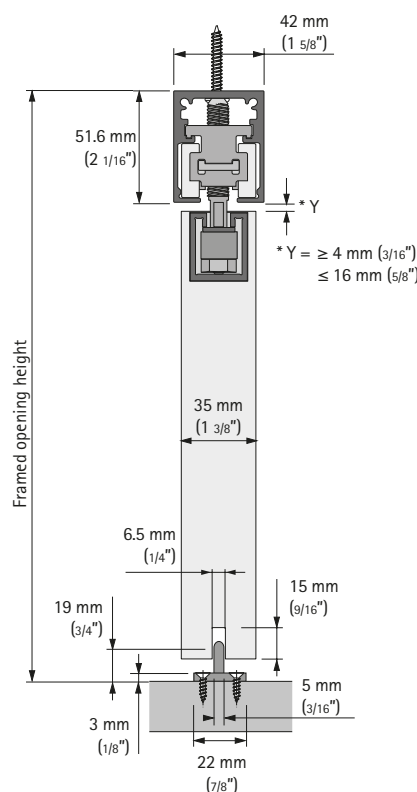
Order no.	PU
9 203 729	1 set

Planning dimensions

Top Line Grant HD / LP up to 147 kg / panel
(325 lbs / panel), minimum door width
35 mm (1 3/8") for sliding applications

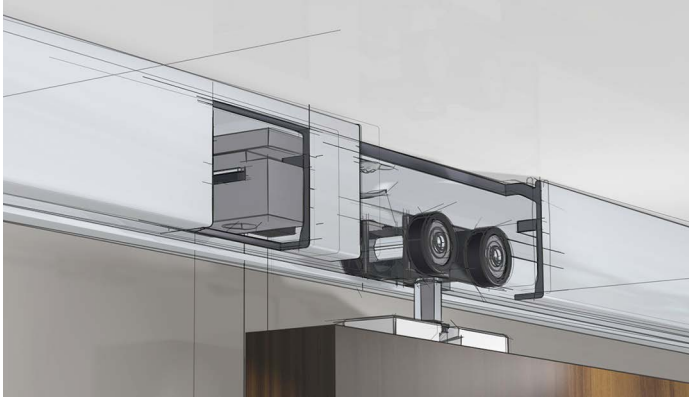


Framed opening height 52 mm (2 1/16") + Y + Panel + 11 mm (7/16")



- ▶ TopLine Grant HD
- ▶ System components

2b Standard hardware set HD



▶ Set contains components for a 1-door application

Set comprises:

- ▶ 2 carriers with precision ball bearing wheels and adjustable pendant bolts
- ▶ 2 top plates
- ▶ 2 endstops
- ▶ 1 floor guide
- ▶ Fixing screws

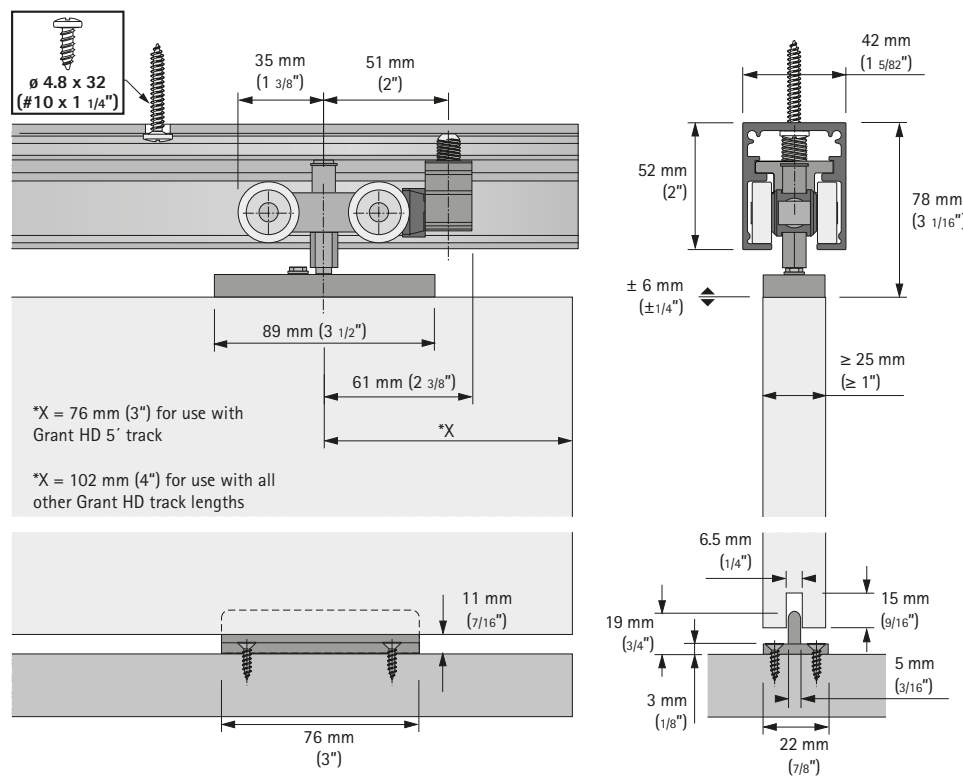
Advice:

- ▶ Please order profiles separately

Order no.	PU
9 191 125	1/10 set



Planning dimensions



- ▶ TopLine Grant HD
- ▶ System components

3 Silent System HD



- ▶ Quietly and gently opening and closing sliding doors
- ▶ Suitable for door weight up to 147 kg (325 lbs)
- ▶ Set contains all Silent System components for a 1-door application

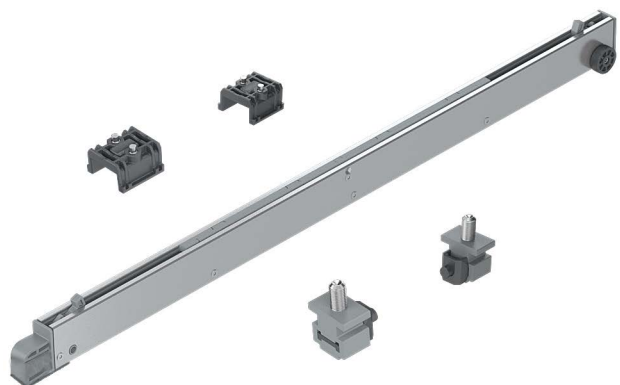
Set comprises:

- ▶ 1 Silent System unit HD
- ▶ 2 activators HD
- ▶ 2 end stop for Silent System HD
- ▶ 1 torx wrench key TX15
- ▶ Fixing screws

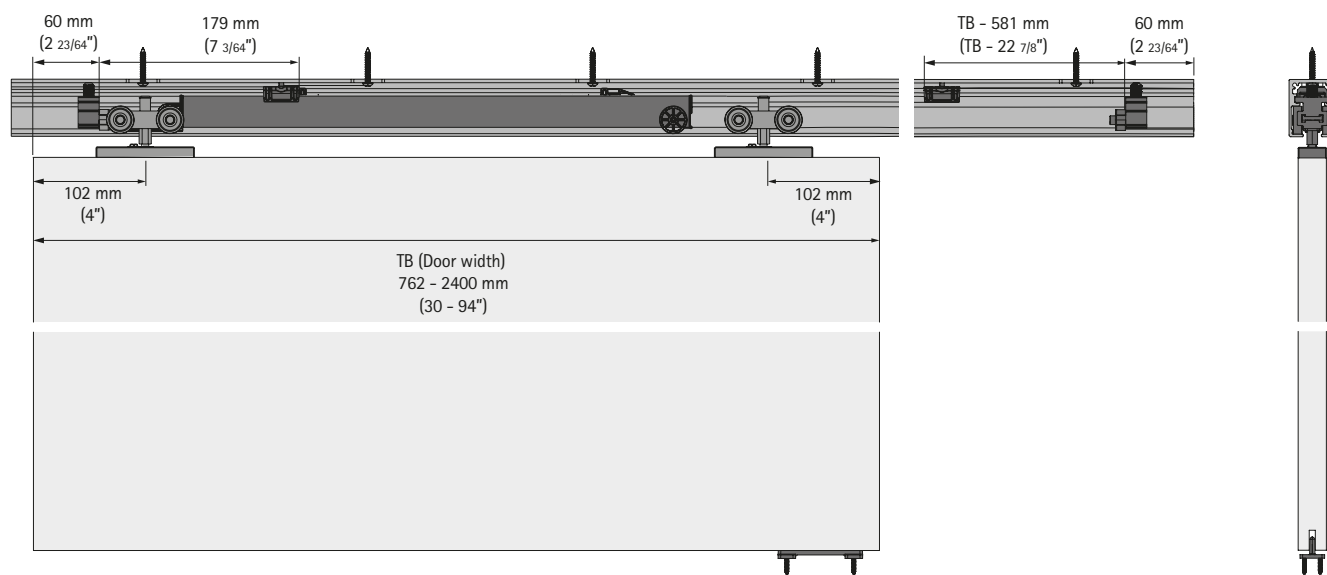
Advice:

- ▶ Door width 762 mm (30") minimum

Order no.	PU
9 235 621	1 set



Planning dimensions



- ▶ TopLine Grant HD
- ▶ System components

4 Wall mount bracket SD/HD



- ▶ Ideal for single and bi-parting applications where traditional header mounter pocket and sliding doors are not desired or cannot be structurally installed
- ▶ Suitable for 25 mm (1") to 50 mm (2") doors
- ▶ Aluminium, anodized

Set comprises:

- ▶ 1 wall mount bracket
- ▶ Wall mounting screws
- ▶ Fixing screws and nuts for attaching the track

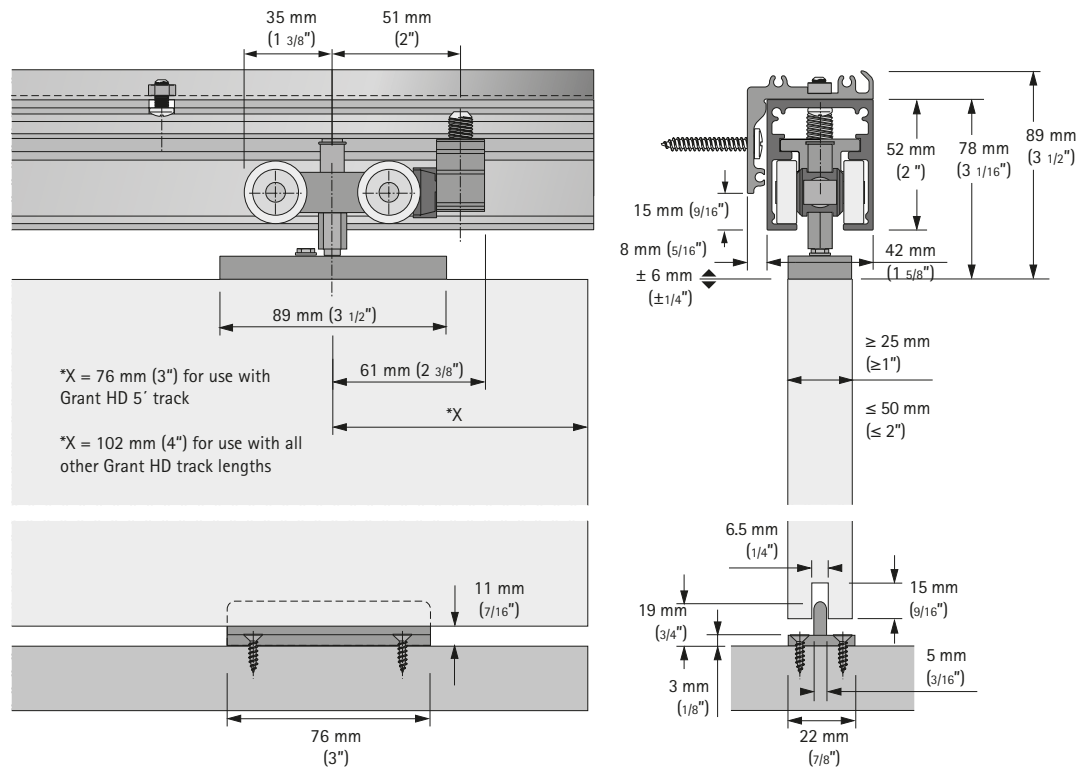
Advice:

- ▶ Please order running profile separately
- ▶ End stops required on all wall mount applications



Length mm	Length ft.	Order no.	PU
1829	6	9 202 898	1 set
2438	8	9 202 899	1 set
4877	16	9 202 902	1 set

Planning dimensions



- ▶ TopLine Grant HD
- ▶ System components

5 Fascia SD/HD/XHD

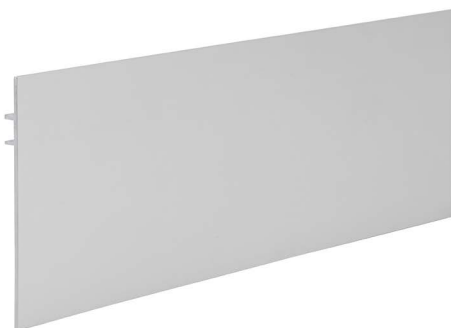


- ▶ Hide your gap between profile and door
- ▶ For header mount or wall mount application
- ▶ Easy to install: Just snap into fascia clips
- ▶ Suitable for 25 mm (1") to 44 mm (1 3/4") doors
- ▶ Aluminium, anodized

Advice:

- ▶ Please order fascia clips separately
- ▶ Fascia is not necessary for combination with low head profile hardware set

Length mm	Length ft.	Order no.	PU
1829	6	9 203 732	1 ea.
2438	8	9 203 733	1 ea.
4879	16	9 203 746	1 ea.



Set header mount fascia clip



Set comprises:

- ▶ 5 header mount fascia clips
- ▶ Fixing screws

Advice:

- ▶ Any fascia over 8 ft. long requires 2 sets of clips

Order no.	PU
9 203 751	1/100 set

Set wall mount fascia clip



Set comprises:

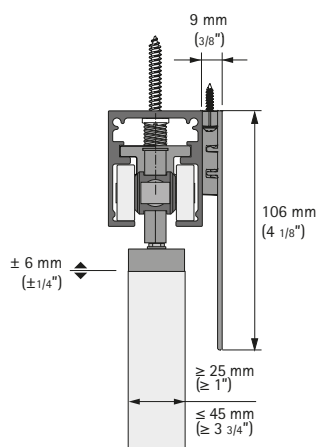
- ▶ 5 wall mount fascia clips
- ▶ Fixing screws

Advice:

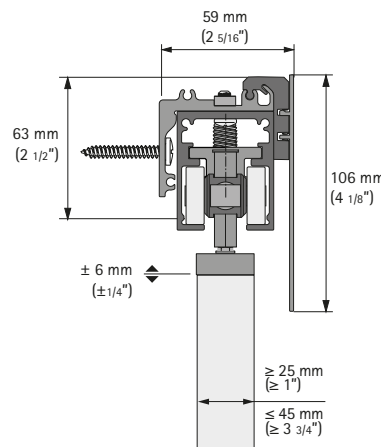
- ▶ Any fascia over 8 ft. long requires 2 sets of clips

Order no.	PU
9 203 752	1/100 set

Planning dimensions

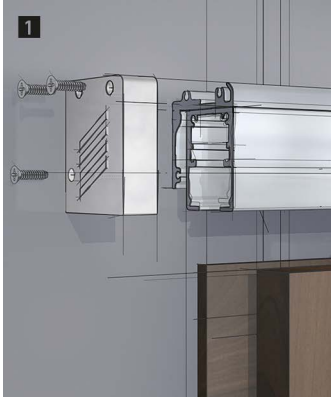


Planning dimensions



- ▶ TopLine Grant HD
- ▶ System components

6 Wall mount endcap HD



- Final design tuning for wall mount applications:
- ▶ **1** Endcap for wall mount applications without fascia
 - ▶ **2** Endcap for wall mount applications with fascia

Endcap HD without fascia



- ▶ Plastic, aluminium colored finish

Set comprises:

- ▶ 1 right hand endcap
- ▶ 1 left hand endcap
- ▶ Fixing screws

Order no.	PU
9 202 942	1 set

Endcap SD/HD with fascia



- ▶ Plastic, aluminium colored finish

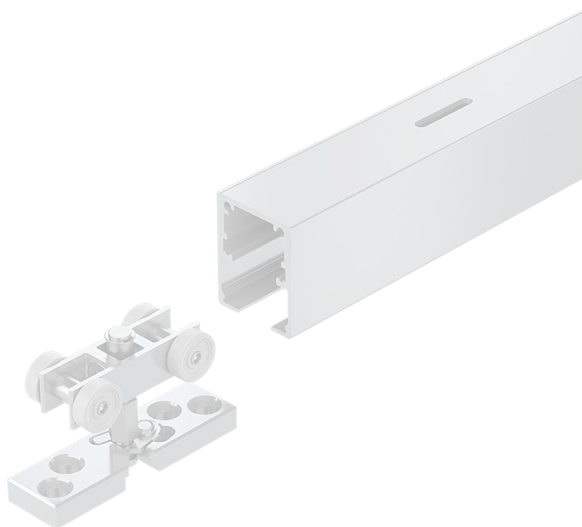
Set comprises:

- ▶ 1 right hand endcap
- ▶ 1 left hand endcap
- ▶ Fixing screws

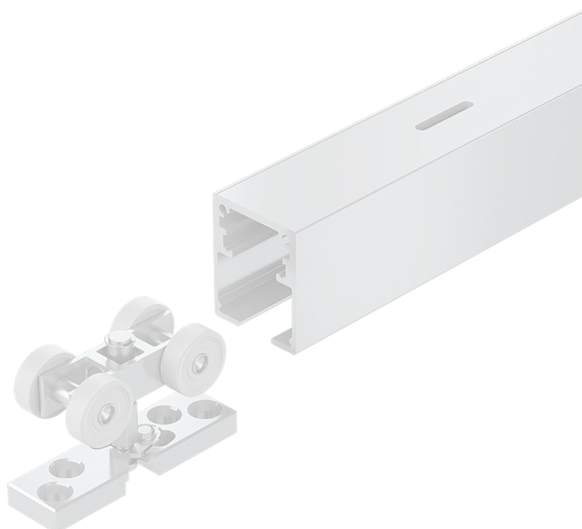
Order no.	PU
9 202 943	1 set

Architectural sliding door system

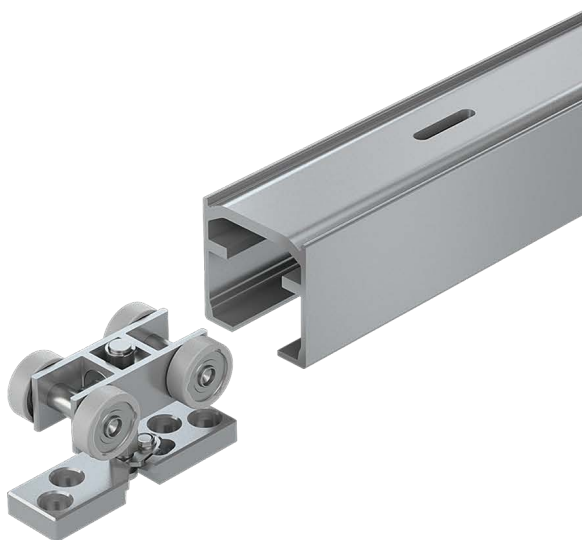
- ▶ TopLine Grant XHD
- ▶ Performance summary



Grant SD
Up to 68 kg (150 lbs)



Grant HD
Up to 147 kg (325 lbs)



Grant XHD
Up to 227 kg (500 lbs)

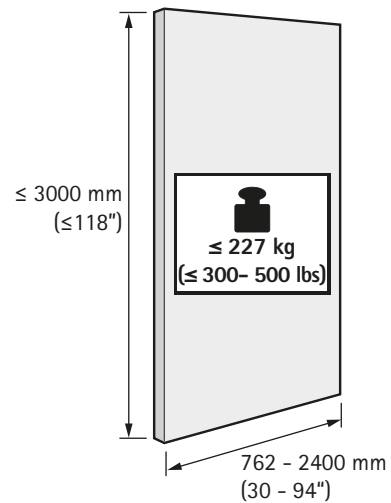


- ▶ **TopLine Grant XHD**
- ▶ **Performance summary**

Technical details in brief

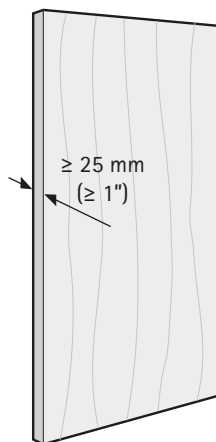
- ▶ The TopLine Grant XHD series is a heavy duty line of sliding door hardware recommended for design applications which require the movement of heavy panels, space dividers or large doors.
- ▶ Precision ball bearing wheels ensure a smooth, quiet, and long lasting performance even under full load capacity.
- ▶ Self-leveling design allows for even distribution of load for maximum performance and durability
- ▶ 3/8" vertical adjustment; minimal headroom required
- ▶ Heavy duty aluminium box track
- ▶ Outstanding performance and durability
- ▶ Meets and/or exceeds ANSI/BHMA standards

Door format and door weight



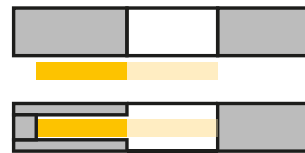
see pages 44 - 45

Door material



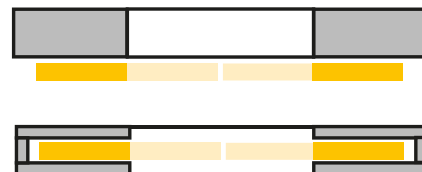
Number of door wings and door position

Single



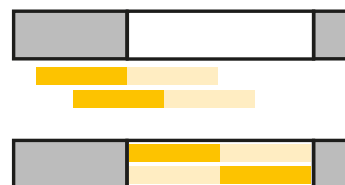
Bi-parting

Use additional set of hardware



By-passing

Mounting two parallel tracks



Architectural sliding door system

- ▶ TopLine Grant XHD
- ▶ System overview



Tracks in several lengths



Choose low profile hardware for a sleek and elegant look or standard hardware



For wall mount applications



Hide your gap with a fascia



Final design tuning with endcaps

- ▶ TopLine Grant XHD
- ▶ System components

All inclusive sets



- ▶ Set contains all components for a 1-door application with basic gap design

Set comprises:

- ▶ **1** Track (aluminium, anodized)
- ▶ **2** Hardware set

Advice:

- ▶ For longer track application order hardware set and track separately
- ▶ You can update your all inclusive set with
 - 3** Wall mount bracket
 - 4** Fascia
 - 5** Endcaps

Length mm	Length ft.	Order no.	PU
1829	6	9 235 673	1 set
2438	8	9 235 674	1 set

Flexible sets

1 Single track XHD



- ▶ Aluminium, anodized
- ▶ Easy attachment due to pre-punched screw slots

Advice:

- ▶ Screws are not included. Recommend 31.8 mm (#10 x 1 1/4") pan-head

Length mm	Length ft.	Order no.	PU
1829	6	9 199 510	1 ea.
2438	8	9 199 511	1 ea.
3048	10	9 199 512	1 ea.
3658	12	9 199 513	1 ea.
4879	16	9 199 514	1 ea.

Architectural sliding door system



- ▶ TopLine Grant XHD
- ▶ System components

2 Hardware set - Choose between the low profile hardware set for a sleek and elegant look or the standard hardware set

2a Low profile hardware set XHD



- ▶ Creates a sleek and elegant look: Minimizes the gap at the top of the door with a minimum reveal of 4 mm (3/16")
- ▶ Ideal also for restricted headroom application
- ▶ Aluminium construction
- ▶ Set contains components for a 1-door application

Set comprises:

- ▶ 1 floor guide
- ▶ 2 end stops
- ▶ 2 carrier assemblies – each assembly contains:
 - 1 channel
 - 1 support insert
 - 1 carrier
 - 1 end cap
- ▶ Wrench
- ▶ Fixing screws

Advice:

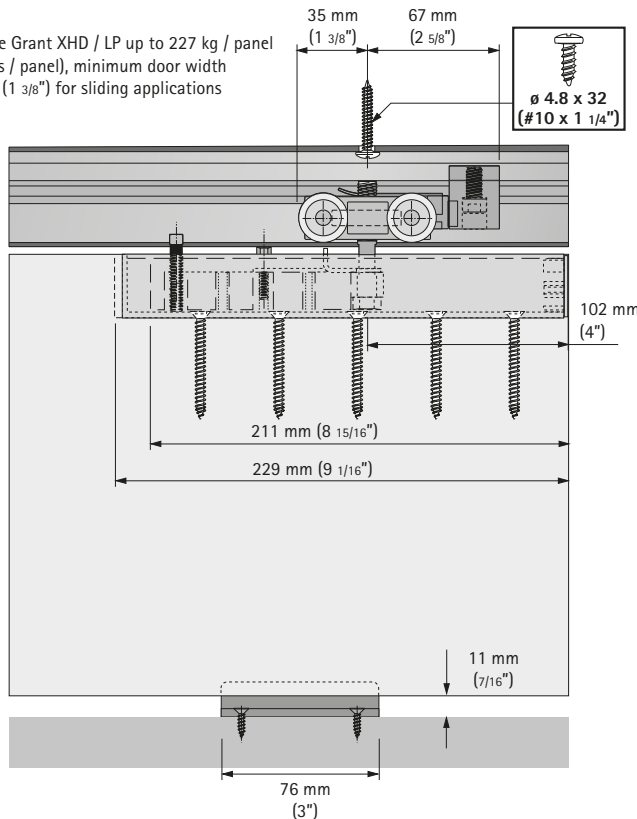
- ▶ Door thickness min. 35 mm (1 3/8")
- ▶ Please order profiles separately



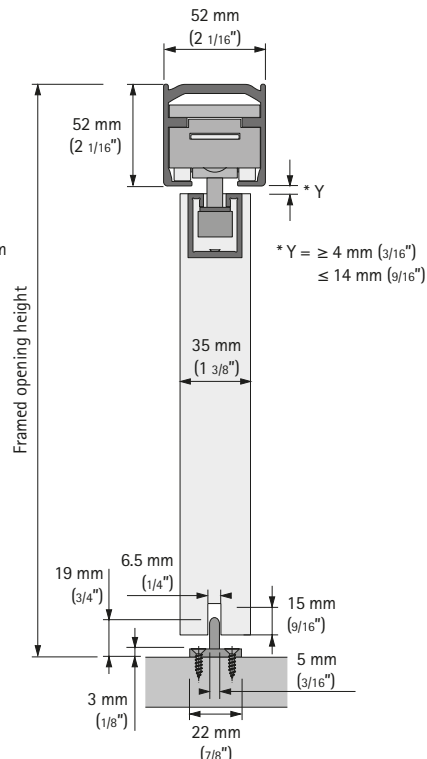
Order no.	PU
9 203 730	1 set

Planning dimensions

Top Line Grant XHD / LP up to 227 kg / panel
(500 lbs / panel), minimum door width
35 mm (1 3/8") for sliding applications



Framed opening height 52 mm (2 1/16") + Y + Panel + 11 mm (7/16")



- ▶ TopLine Grant XHD
- ▶ System components

2b Standard hardware set XHD



▶ Set contains components for a 1-door application

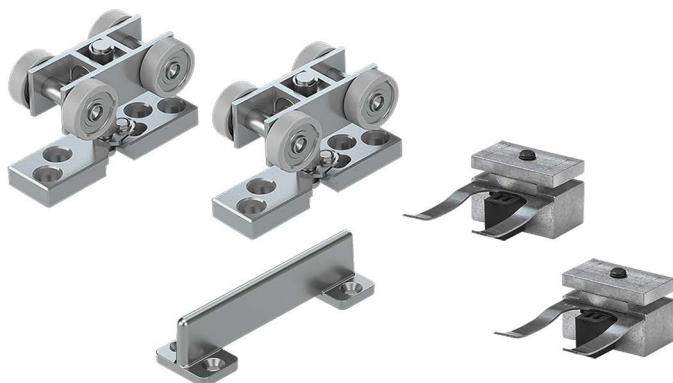
Set comprises:

- ▶ 2 carriers with precision ball bearing wheels and adjustable pendant bolts
- ▶ 2 top plates
- ▶ 2 endstops
- ▶ 1 floor guide
- ▶ Fixing screws

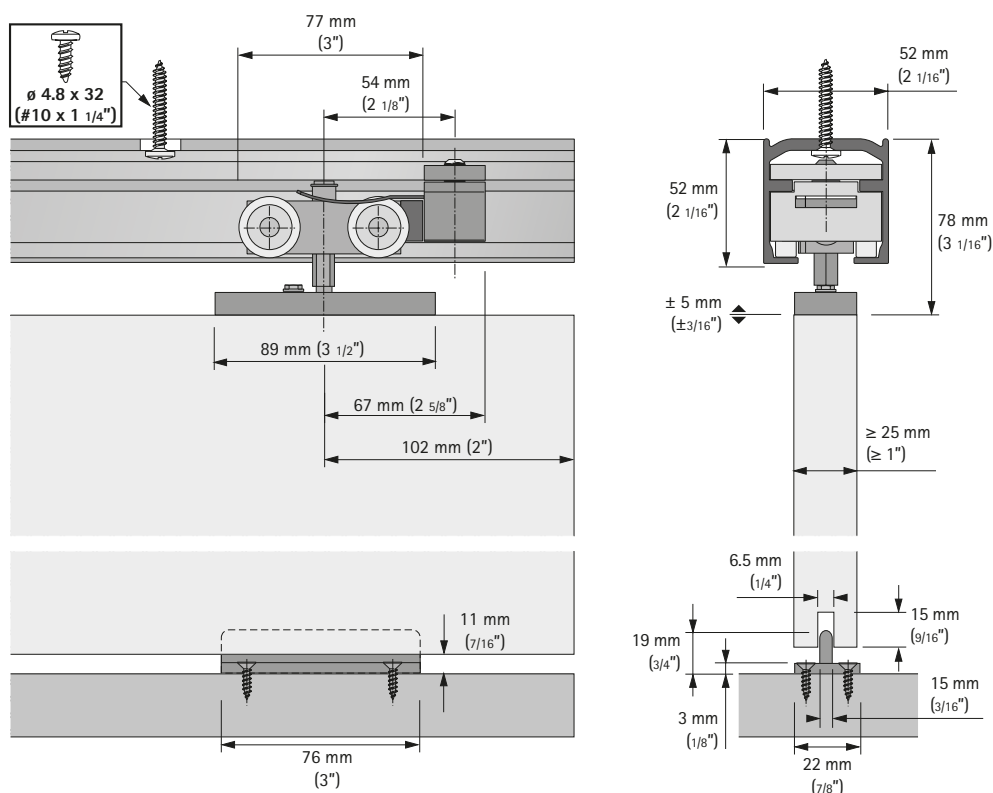
Advice:

- ▶ Please order profiles separately

Order no.	PU
9 191 126	1/10 set



Planning dimensions



- ▶ TopLine Grant XHD
- ▶ System components

3 Wall mount bracket XHD



- ▶ Ideal for heavy and extra heavy duty single and bi-parting applications where traditional header mounted pocket and sliding doors are not desired or cannot be structurally installed
- ▶ Suitable for 25 mm (1") to 50 mm (2") doors
- ▶ Aluminium, anodized

Set comprises:

- ▶ 1 wall mount bracket
- ▶ Wall mounting screws
- ▶ Fixing screws and nuts for attaching the track

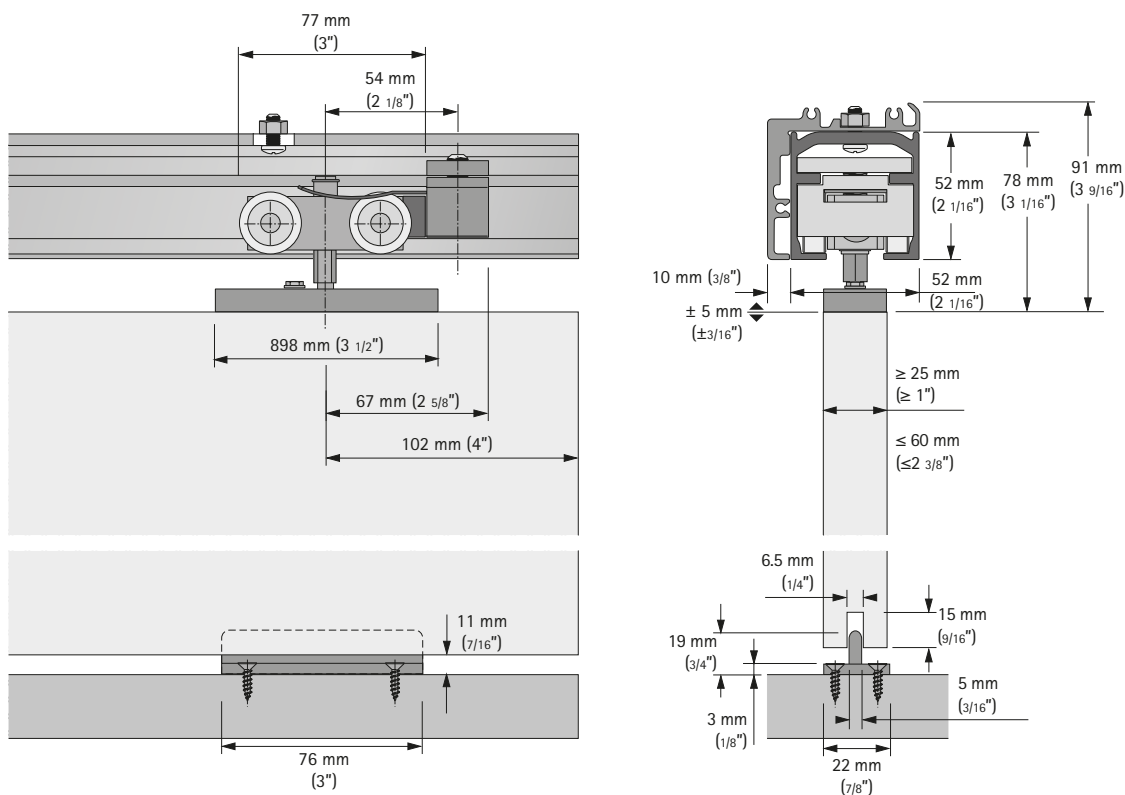
Advice:

- ▶ Please order running profile separately
- ▶ End stops required on all wall mount applications



Length mm	Length ft.	Order no.	PU
1829	6	9 202 904	1 set
2438	8	9 202 935	1 set
4879	16	9 202 938	1 set

Planning dimensions



- ▶ TopLine Grant XHD
- ▶ System components

5 Fascia SD/HD/XHD

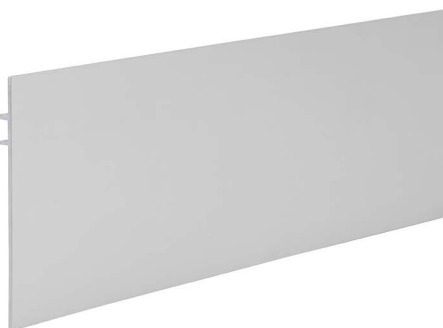


- ▶ Hide your gap between profile and door
- ▶ For header mount or wall mount application
- ▶ Easy to install: Just snap into fascia clips
- ▶ Suitable for 25 mm (1") to 44 mm (1 3/4") doors
- ▶ Aluminium, anodized

Advice:

- ▶ Please order fascia clips separately
- ▶ Fascia is not necessary for combination with low head profile hardware set

Length mm	Length ft.	Order no.	PU
1829	6	9 203 732	1 ea.
2438	8	9 203 733	1 ea.
4879	16	9 203 746	1 ea.



Set header mount fascia clip



Set comprises:

- ▶ 5 header mount fascia clips
- ▶ Fixing screws

Advice:

- ▶ Any fascia over 8 ft. long requires 2 sets of clips

Order no.	PU
9 203 751	1/100 set

Set wall mount fascia clip



Set comprises:

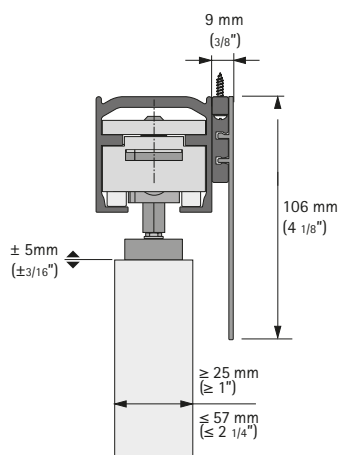
- ▶ 5 wall mount fascia clips
- ▶ Fixing screws

Advice:

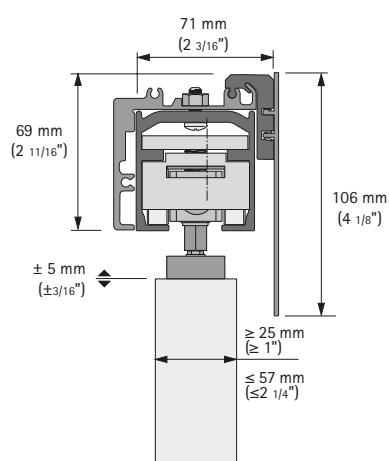
- ▶ Any fascia over 8 ft. long requires 2 sets of clips

Order no.	PU
9 203 752	1/100 set

Planning dimensions

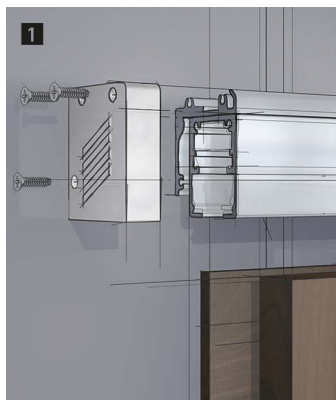


Planning dimensions



- ▶ TopLine Grant XHD
- ▶ System components

5 Wall mount endcap XHD



Final design tuning for wall mount applications:

- ▶ **1** Endcap for wall mount applications without fascia
- ▶ **2** Endcap for wall mount applications with fascia

Endcap XHD without fascia



- ▶ Plastic, aluminium colored finish

Set comprises:

- ▶ 1 right hand endcap
- ▶ 1 left hand endcap
- ▶ Fixing screws

Order no.	PU
9 202 944	1 set

Endcap XHD with fascia



- ▶ Plastic, aluminium colored finish

Set comprises:

- ▶ 1 right hand endcap
- ▶ 1 left hand endcap
- ▶ Fixing screws

Order no.	PU
9 203 015	1 set

Architectural sliding door system

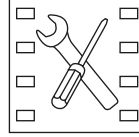
- ▶ TopLine Grant SD / HD / XHD
- ▶ Installation in brief

Installation animation



Easy installation

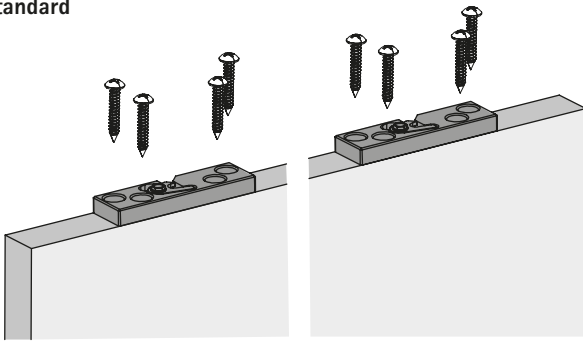
Take a look at our installation video for Grant SD / HD / XHD



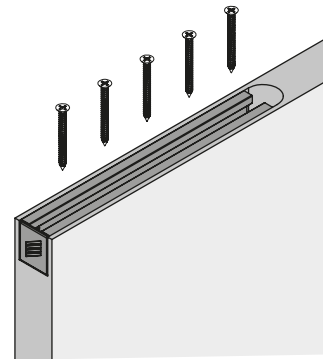
<http://www.hettich.com/short/6bcfac>

Door preparation

Standard

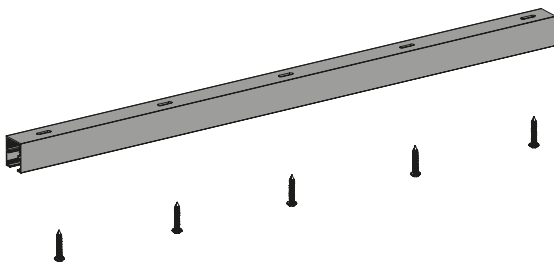


Low profile

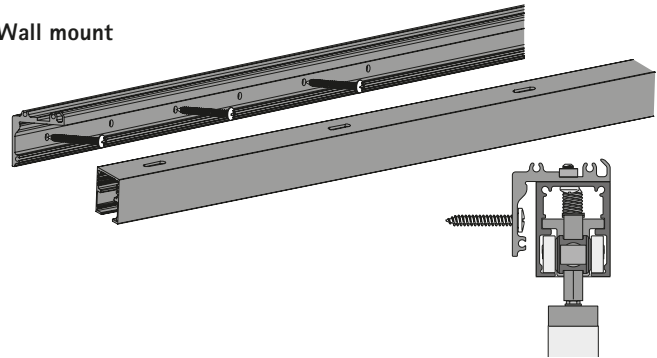


Profile installation

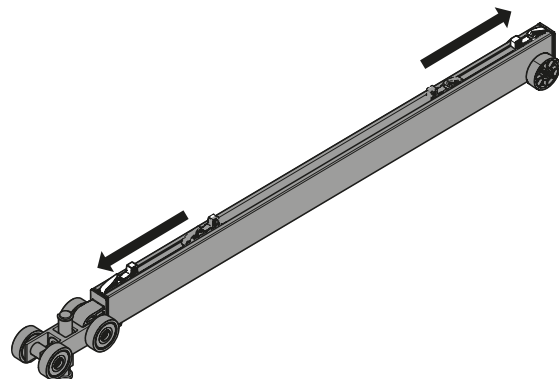
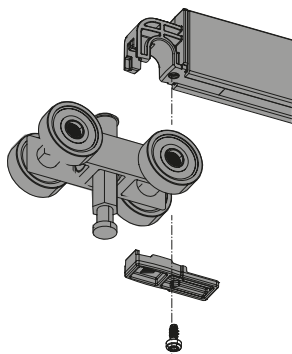
Ceiling mount



Wall mount



Damper installation

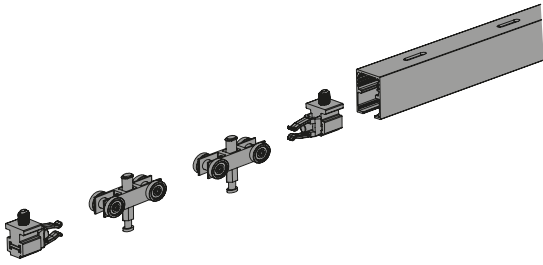


Architectural sliding door system

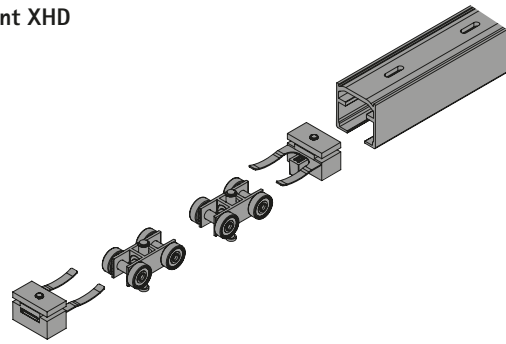
- ▶ TopLine Grant SD / HD / XHD
- ▶ Installation in brief

Carrier / End stop installation

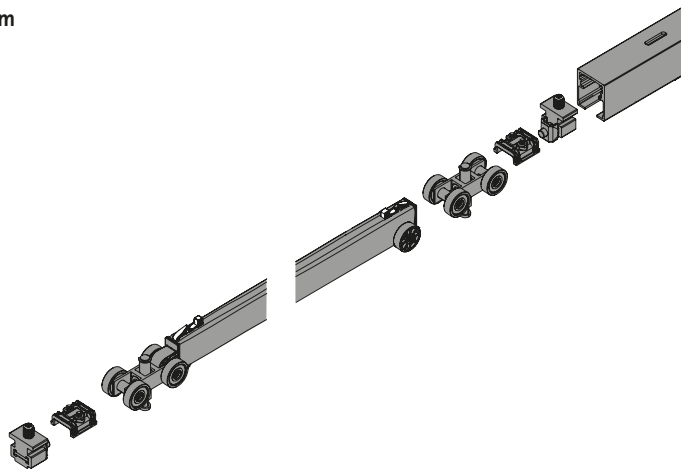
Grant SD / HD



Grant XHD

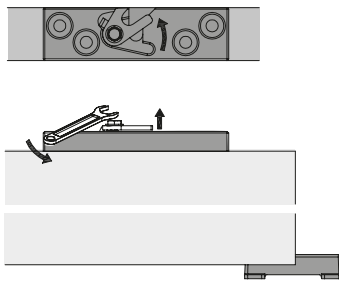


Grant SD / HD with Silent System

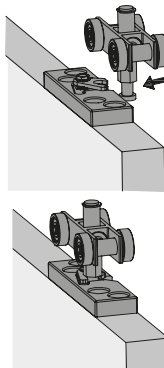


Mounting door

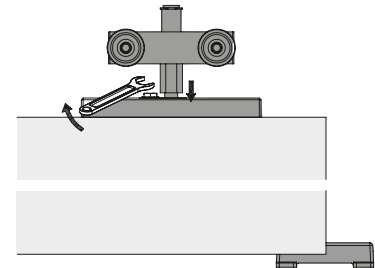
1.



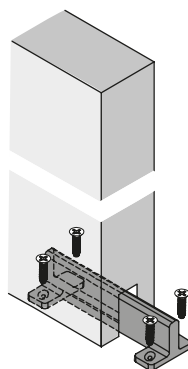
2.



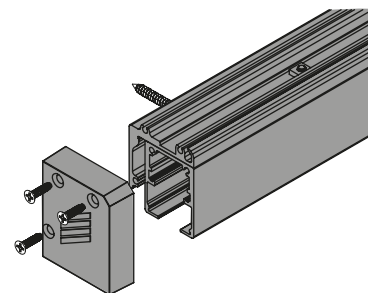
3.



Floor guide installation



End cap installation



Architectural sliding door system

- ▶ Technical information
- ▶ Calculating door weights

Weight table for chipboard 19 mm

Door weight in kg (density = 700 kg/m³)

Door height mm	Door width mm														
	300	400	500	600	700	800	900	1000	1100	1200	1300	1400	1600	1800	2000
300	1,2	1,6	2,0	2,4	2,8	3,2	3,6	4,0	4,4	4,8	5,2	5,6	6,4	7,2	8,0
400	1,6	2,1	2,7	3,2	3,7	4,3	4,8	5,3	5,9	6,4	6,9	7,5	8,5	9,6	10,6
500	2,0	2,7	3,3	4,0	4,7	5,3	6,0	6,7	7,3	8,0	8,7	9,3	10,6	12,0	13,3
600	2,4	3,2	4,0	4,8	5,6	6,4	7,2	8,0	8,8	9,6	10,4	11,2	12,8	14,4	16,0
700	2,8	3,7	4,7	5,6	6,6	7,5	8,4	9,3	10,2	11,2	12,1	13,0	14,9	16,8	18,6
800	3,2	4,3	5,3	6,4	7,5	8,5	9,6	10,6	11,7	12,8	13,8	14,9	17,0	19,2	21,3
900	3,6	4,8	6,0	7,2	8,4	9,6	10,8	12,0	13,2	14,4	15,6	16,8	19,2	21,6	23,9
1000	4,0	5,3	6,7	8,0	9,3	10,7	12,0	13,3	14,6	16,0	17,3	18,6	21,3	23,9	26,6
1100	4,4	5,9	7,3	8,8	10,2	11,7	13,2	14,6	16,1	17,6	19,0	20,5	23,4	26,3	29,3
1200	4,8	6,4	8,0	9,6	11,2	12,8	14,4	16,0	17,6	19,2	20,8	22,3	25,5	28,7	31,9
1300	5,2	6,9	8,7	10,4	12,1	13,8	15,6	17,3	19,0	20,8	22,5	24,2	27,7	31,1	34,6
1400	5,6	7,5	9,3	11,2	13,0	14,9	16,8	18,6	20,5	22,3	24,2	26,1	29,8	33,5	37,2
1600	6,4	8,5	10,7	12,8	15,0	17,0	19,2	21,3	23,4	25,6	27,7	29,8	34,1	38,3	42,6
1800	7,2	9,6	12,0	14,4	16,8	19,2	21,6	24,0	26,3	28,7	31,1	33,5	38,3	43,1	47,9
2000	8,0	10,6	13,3	16,0	18,6	21,3	23,9	26,6	29,3	31,9	34,6	37,2	42,6	47,9	53,2
2200	8,8	11,7	14,6	17,6	20,5	23,4	26,3	29,3	32,2	35,1	38,0	41,0	46,8	52,7	58,5
2400	9,6	12,8	16,0	19,2	22,3	25,5	28,7	31,9	35,1	38,3	41,5	44,7	51,1	57,5	63,9
2600	10,4	13,8	17,3	20,8	24,2	27,7	31,1	34,6	38,0	41,5	45,0	48,4	55,3	62,2	69,2

Weight table for MDF 19 mm

Door weight in kg (density = 900 kg/m³)

Door height mm	Door width mm														
	300	400	500	600	700	800	900	1000	1100	1200	1300	1400	1600	1800	2000
300	1,5	2,1	2,6	3,1	3,6	4,1	4,6	5,1	5,6	6,2	6,7	7,2	8,2	9,2	10,3
400	2,1	2,7	3,4	4,1	4,8	5,5	6,2	6,8	7,5	8,2	8,9	9,6	10,9	12,3	13,7
500	2,6	3,4	4,3	5,1	6,0	6,8	7,7	8,6	9,4	10,3	11,1	12,0	13,7	15,4	17,1
600	3,1	4,1	5,1	6,2	7,2	8,2	9,2	10,3	11,3	12,3	13,3	14,4	16,4	18,5	20,5
700	3,6	4,8	6,0	7,2	8,4	9,6	10,8	12,0	13,2	14,4	15,6	16,8	19,2	21,6	23,9
800	4,1	5,5	6,8	8,2	9,6	10,9	12,3	13,7	15,1	16,4	17,8	19,2	21,9	24,6	27,4
900	4,6	6,2	7,7	9,2	10,8	12,3	13,9	15,4	16,9	18,5	20,0	21,6	24,6	27,7	30,8
1000	5,1	6,8	8,6	10,3	12,0	13,7	15,4	17,1	18,8	20,5	22,2	23,9	27,4	30,8	34,2
1100	5,6	7,5	9,4	11,3	13,2	15,1	16,9	18,8	20,7	22,6	24,5	26,3	30,1	32,9	37,6
1200	6,2	8,2	10,3	12,3	14,4	16,4	18,5	20,5	22,6	24,6	26,7	28,7	32,8	36,9	41,0
1300	6,7	8,9	11,1	13,3	15,6	17,8	20,0	22,2	24,5	26,7	28,9	31,1	35,6	40,0	44,5
1400	7,2	9,6	12,0	14,4	16,8	19,2	21,6	23,9	26,3	28,7	31,1	33,5	38,3	43,1	47,9
1600	8,2	10,9	13,7	16,4	19,2	21,9	24,6	27,4	30,1	32,8	35,6	38,3	43,8	49,3	54,7
1800	9,2	12,3	15,4	18,5	21,6	24,6	27,7	30,8	33,9	36,9	40,0	43,1	49,3	55,4	61,6
2000	10,3	13,7	17,1	20,5	23,9	27,4	30,8	34,2	37,6	41,0	44,5	47,9	54,7	61,6	68,4
2200	11,3	15,5	18,8	22,6	26,3	30,1	33,9	37,6	41,4	45,1	48,9	52,7	60,2	67,7	75,2
2400	12,3	16,4	20,5	24,6	28,7	32,8	36,9	41,0	45,1	49,3	53,4	57,5	65,7	73,9	82,1
2600	13,3	17,8	22,2	26,7	31,1	35,6	40,0	44,5	48,9	53,4	57,8	62,2	71,1	80,0	88,9

Architectural sliding door system

- ▶ Technical information
- ▶ Calculating door weights

Adjustment to different material thicknesses

The table entries refer to 19 mm thick material.
The table entries must be multiplied by a factor in order to adjust to material of different thickness.

Material thickness mm	Factor
15	0,79
16	0,84
18	0,95
19	1,00
20	1,05
22	1,16
23	1,21
26	1,37
29	1,53

Formula for conversion

Door weight = weight for door in thickness of 19 mm from table above x factor

Example

Chipboard door

H x W x D = 2000 x 1800 x 16

Weight shown in table for this door size, but material in a thickness of 19 mm = 47.9 kg

Convert to 16 mm door thickness using factor of 0.84 as shown in table on left

Door weight = 47.9 kg x 0.84 = 40.2 kg

Calculating weights of doors in alternative door materials

Density of various materials in kg/m³

Material	Density kg/m ³
Acrylic glass	1200
Aluminium	2700
Balsa wood	120
Concrete	2400
Lead	11300
Iron	7800
Gypsum plasterboard	900
Glass	2600
Hardboard	1000
Hardwood, wet (beech)	900
Hardwood, dry (beech)	800
Cork	300

To calculate the weight of doors in alternative door materials, the specific density of the door material must be taken into consideration.

Example

Door made of acrylic glass with a density of 1200 kg/m³

Door height: 2000 mm, door width: 1800 mm, material thickness: 6 mm

$$\begin{array}{c} \text{Door weight [kg]} \\ 25,9 \text{ kg} \end{array} = \begin{array}{c} \text{Height [m]} \\ 2 \end{array} \times \begin{array}{c} \text{Width [m]} \\ 1,8 \end{array} \times \begin{array}{c} \text{Material thickness [m]} \\ 0,006 \end{array} \times \begin{array}{c} \text{Density [kg/m}^3\text{]} \\ 1200 \end{array}$$

Architectural sliding door system

- ▶ Technical information
- ▶ Quality criteria



Hettich products must work safely and reliably. They must be sturdy and strong, easy to install and user friendly. This requirement profile demands ambitious research and development – and meticulous quality management.

In complex test procedures, we test every Hettich product for qualities such as durability, resistance to changing climatic conditions, safety and ergonomics.

The promise we give to our customers is: "fit and forget": once installed, Hettich products simply get on and do their job day after day after day. For furniture manufacturers, Hettich quality guarantees the reliability and long life of their own products. And the lasting satisfaction of furniture buyers.

Architectural sliding door system

- ▶ **Technical information**
- ▶ **Quality criteria**

Tailored Quality

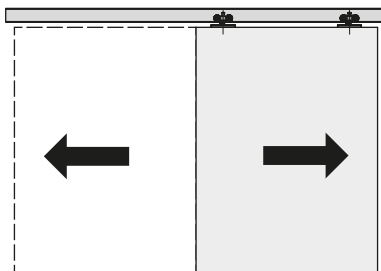
The quality of Hettich sliding door systems is monitored constantly. Hettich fittings comply with the various quality standards of the markets our customers operate in. As for Hettich, it is important not just to meet the quality standards of the market, but to surpass them. Therefore all fittings need to pass an extended test range. Hettich fittings are required to pass.

Passed Quality Standards

- ▶ BHMA A156.14
- ▶ DIN EN 1527
- ▶ DIN EN 15706

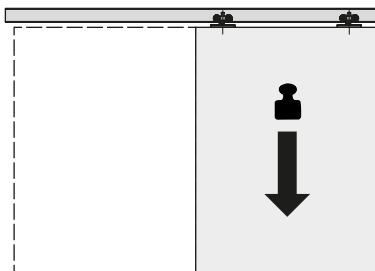
Endurance Test

The door, loaded with the dimensioned weight, is opened and closed at a defined speed and is required to withstand 100,000 cycles.



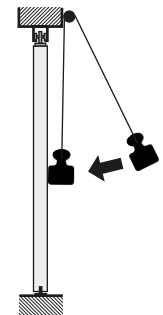
Static Load Test

The door is loaded with the double of the dimensioned weight over a specific time. All fitting components and tracks are required to withstand these loads without any remaining deformation.



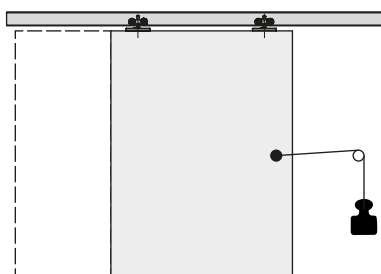
Horizontal Impact Test

A specific force is applied in horizontal direction to a defined position of the door. The door and all fitting components needs to withstand this action without any damage breaks or cracks impairing operation.



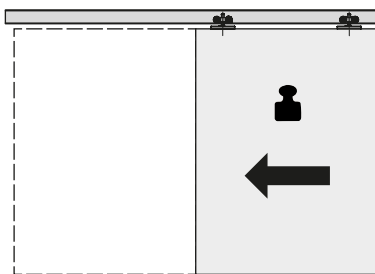
Stop Test

The door is closed all the way with a defined pulling force and needs to withstand this action for a set number of times. Tensile load 4 kg (Level 3).



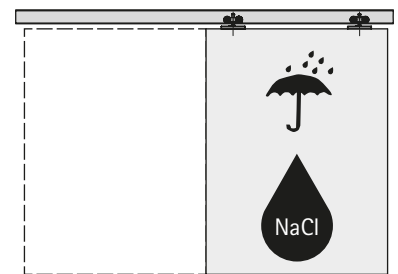
Opening Force Test

The opening force is identified on a door loaded with the dimensioned weight.



Corrosion Test

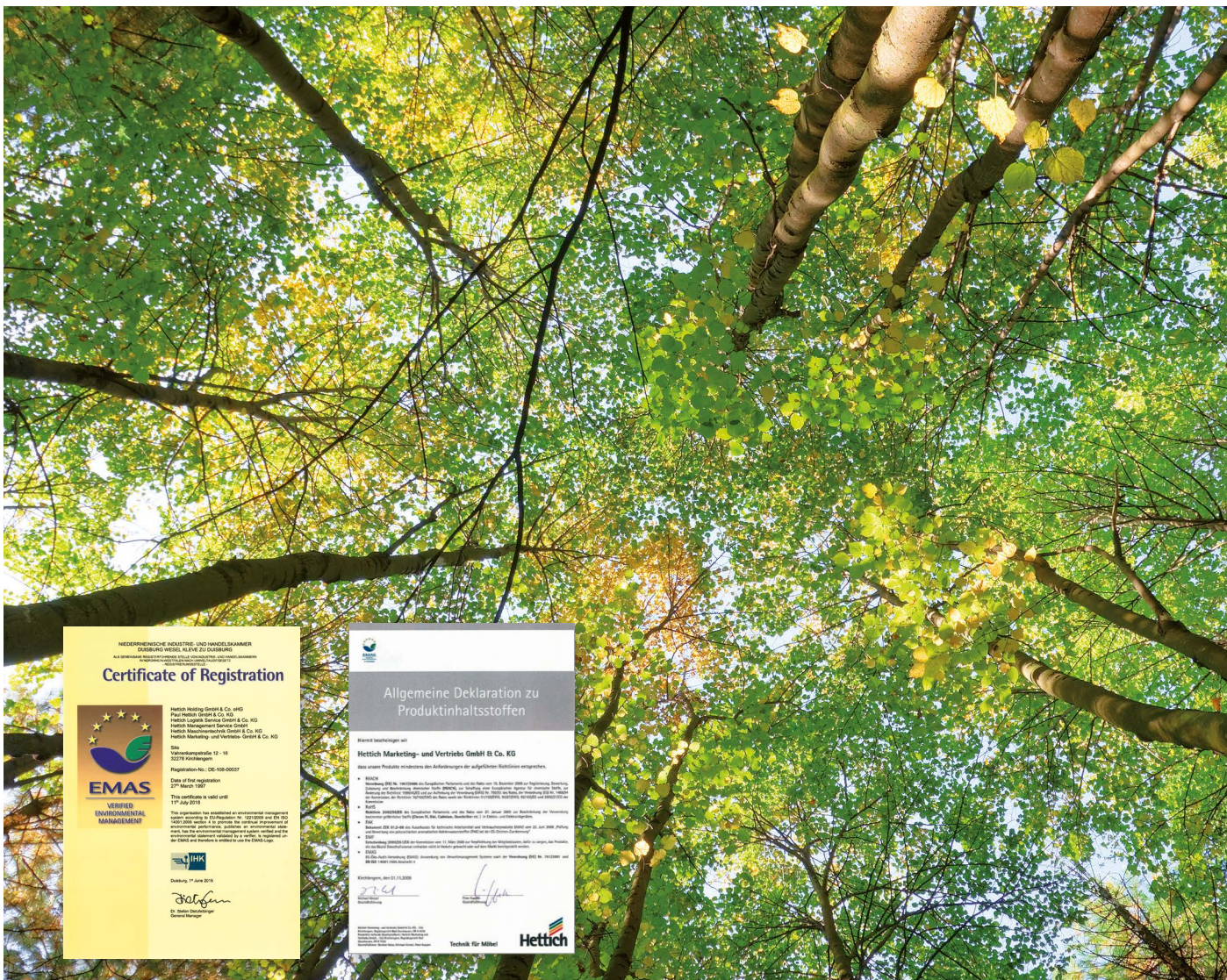
All fitting components and tracks are required to be resistant about corrosion caused by humid or saline air.



Classification according DIN EN 1527

▶ TopLine Grant SD	-	6	2	-	1	2	-	1	3
▶ TopLine Grant HD	-	6	3	-	1	2	-	1	3
▶ TopLine Grant XHD	-	6	3	-	1	2	-	1	3

Hettich and the environment: Committed to responsible practice, active protection, innovative thinking.



Hettich accepts responsibility for the world we live in. This awareness defines the strict policy of environmental management we practise. Our environmental officer has taken personal responsibility for these aspects throughout the group of companies over a period of many years. In addition, a separate environment committee has been established for each production site. We regard statutory provisions as minimum requirements. At significant sites we also implement the stringent EMAS Regulation. And we drive forward developments that in future will help to save even more raw materials and support the necessary endeavours towards sustainability.

Hettich standard for product materials

Hettich underpins its commitment by applying an internal standard for product materials. This ensures that every product – from production to disposal – satisfies all environmental requirements. Hettich products are durable. Appropriately foresighted, our rigorous standards are formulated to ensure that international legislation is met as well. This provides a reliable basis for marketing furniture worldwide.

Hettich environmental management

In 1996 Hettich started introducing effective environmental management systems under the stringent EMAS Regulation (currently: EC Regulation No. 761/2001, including EN ISO 14.001/2004). This not only enables us to improve our environmental performance on a broad front but also achieve a high level of safety which, not least, also benefits our customers. This is why we also require our suppliers to meet the necessary minimum standards of environmental protection, industrial safety, health care and social welfare.

The results achieved in the drawer runner and drawer system product segment at the Kirchlengern operation illustrate the impressive effects these measures have and verifiably demonstrate our tireless endeavours to translate words into action:

Relief to the environment between 1997 and 2008:

Specific water consumption:	56 per cent
Specific power consumption:	21 per cent
Specific heat consumption:	84 per cent
Specific CO ₂ emissions:	29 per cent

Application

Unless otherwise specified in this catalog, Grant Folding and Sliding Door Hardware is suitable for use in both residential and commercial climate controlled environments.

System capacities

All systems conform to ANSI/BHMA as specified Panel thickness and loading capacities are stated per each system as a maximum weight per panel and where required a minimum or maximum panel thickness.

General Technical Conditions **It is generally understood that:**

It is not allowed to mix other suppliers hardware with Hettich products.

Each product to be used in accordance with the specified application and installed in accordance with the instructions supplied.

With systems which are suspended without a permanent frame which encloses the open ends of the running profile, an endstop, supplied by Hettich, must be used in accordance with the instructions.

Screw fixing points and loading information specified in this catalog assume proper attachment of hardware to materials providing a sufficient axial pullout force of $\geq 2,000\text{N}$ in accordance with ASTM D1761-12.

Screws are provided in all hardware kits, installation of screws other than those provided by Hettich should be in accordance with specified sizes and conforming to ANSI/ASME B18.6.4.

General Terms of sale and delivery

All products and services will be provided exclusively on the basis of our General Terms of Sale and Delivery published on our website at www.hettich.com.

Legal Notice

Hettich America L.P.
4295 Hamilton Mill Road
Suite 400
Buford, GA 30518

We reserve all rights to this catalog under copyright law. It shall not be permissible to duplicate this catalog in any form either in whole or in part without our written consent.

Subject to technical alterations.

Errors and omissions excepted.

Subject to color variations.

www.hettich.com

Order no. 9 241 428
1707-006_TopLine_Grant_SD/HD/XHD_07/17_HHE/en

Hettich America, L.P.
4295 Hamilton Mill Road
Suite 400
Buford, GA 30518
Phone: 1-800-438-8424
Fax: 1-800-627-5152
info@hettichamerica.net

Technik für Möbel


Hettich