

MultiTech

Steel drawer system



MultiTech

A choice of intelligent accessories to enhance any MultiTech drawer system and fit for your application – in kitchens or living areas.



... an impressive product range with a price/performance ratio tailored to your customer base

Partial and full extension runners for up to 100 lbs K.C.M.A. total load – for smooth service every day, year after year.



Inside drawers – extremely practical behind front panels.

Special drawer height for us under the hob.



Good looks, wide , choice , top quality



Contemporary design with a generous choice of five drawer heights, for the perfect storage solution.

End-user benefits typical of up-market drawer systems

Double-stop detent for safe routine handling. Can also be used to hold an open drawer securely in position.



High drawer sides for plenty of storage space

The free-spinning rollers are quiet, require no maintenance and run true even under heavy loads.

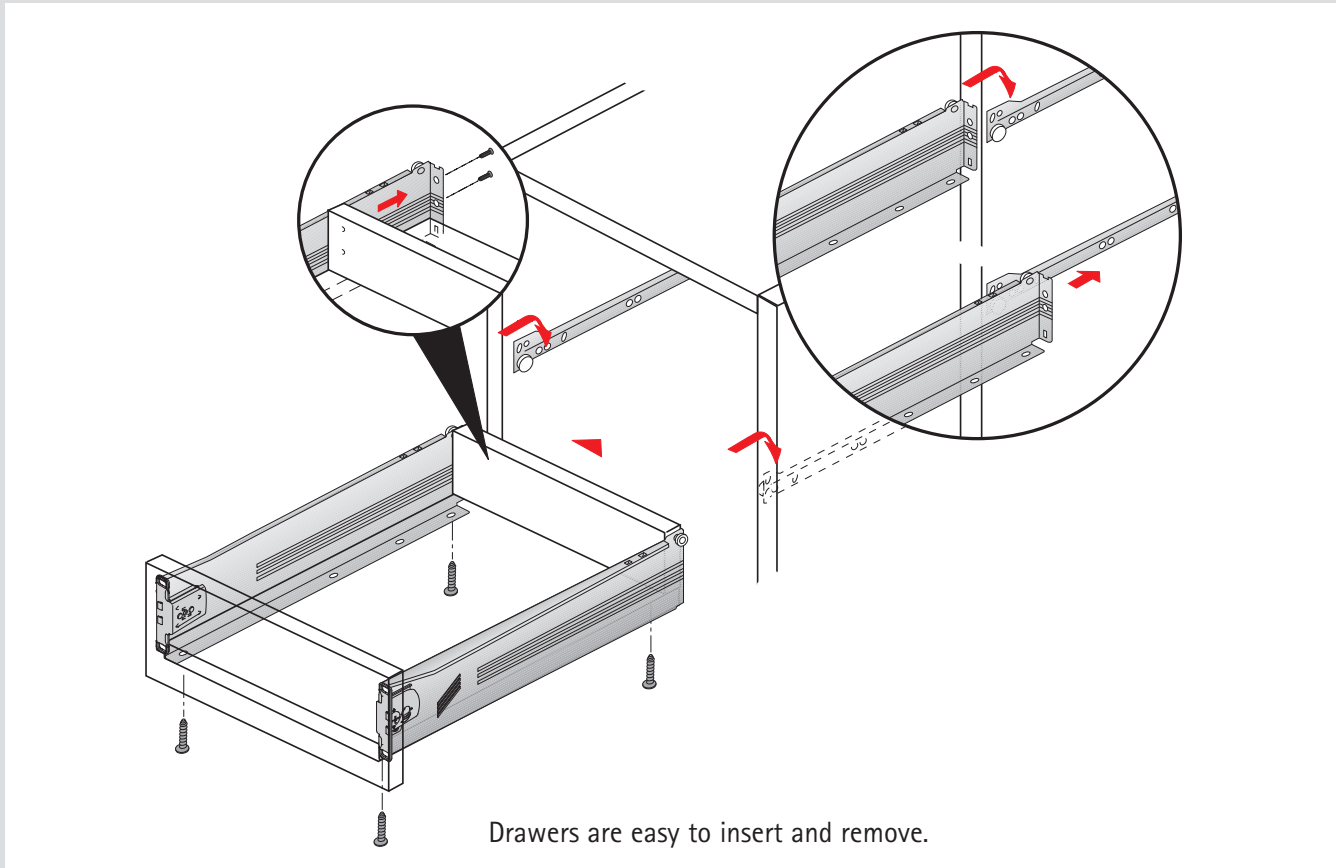
The self-closing feature closes front panels flush against the unit. The perfect parallel drawer action allows elegant hairline reveals.

Full extension pan drawers open and close smoothly thanks to easy roller action.



MultiTech

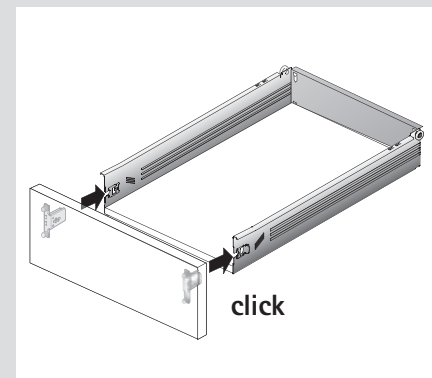
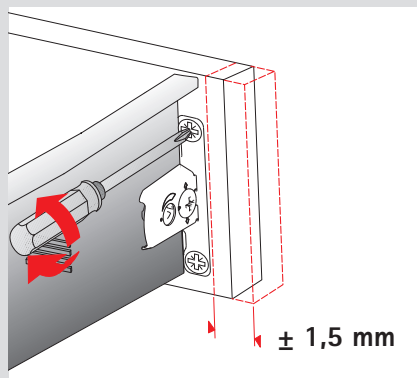
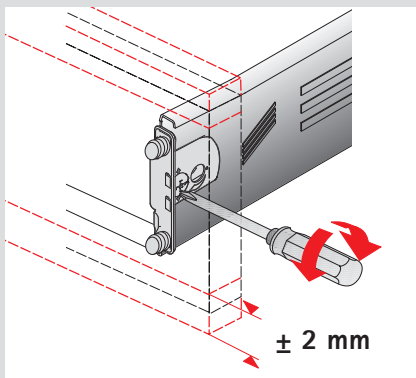
... all the way to final assembly



Simple 3-dimensional front panel adjustment (± 2 mm cam height adjustment,

$\pm 1,5$ mm side adjustment, front panel angle via railing). Side panel leaves factory in zero position.

Fast front panel assembly using left/right-compatible front connectors (separate left/right connectors for inside pan drawers).

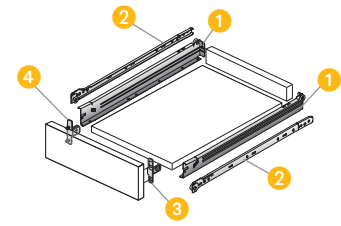


MultiTech 54

Steel profile system

for variable drawer widths with self closing

- 1 Drawer profile
- 2 Drawer slide
- 3 Front connector right
- 4 Front connector left



System benefits

- 2 1/8" (54 mm) height
- Variable drawer width
- 6 lengths: 10"/14"/16"/18"/20"/22"
- Partial extension
- Load capacity 100 lbs K.C.M.A.

1 Drawer profile powder-coated steel, white

Length inch/mm	Order no.		PU
	left	right	
10"/250	9 050 660	9 050 661	25
14"/350	9 050 662	9 050 663	25
16"/400	9 050 664	9 050 665	25
18"/450	9 050 666	9 050 667	25
20"/500	9 050 668	9 050 669	25
22"/550	9 050 670	9 050 671	25

2 Drawer slide powder-coated steel, white

Length inch/mm	Order no.		PU
	left	right	
10"/250	9 050 685	9 050 686	100
14"/350	9 050 687	9 050 688	100
16"/400	9 050 689	9 050 690	100
18"/450	9 050 691	9 050 692	100
20"/500	9 050 693	9 050 694	100
22"/550	9 050 695	9 050 696	100

Drawer set, height 2 1/8" (54 mm), white partial extension

Drawer set contains:
Drawer profile left/right 1
Drawer slide left/right 2

Length inch/mm	Order no.	PU
10"/250	050 001	10 sets
14"/350	050 003	10 sets
16"/400	050 005	10 sets
18"/450	050 007	10 sets
20"/500	050 009	10 sets
22"/550	050 011	10 sets

3 Front connector, screw-on nickel-plated die cast zinc

Industrial packing

Article	Order no.	PU
Front connector, screw-on left	1 064 336	100
Front connector, screw-on right	1 064 341	100

Distributor packing

Article	Order no.	PU
Front connector, screw-on left / right	079 174	10 sets

Rear mounting bracket for face frame cabinets plastic

Article	Order no.	PU
Rear mounting bracket left	052 101	600
Rear mounting bracket right	052 102	600
Recommended screw no. 6		

4 Front connector, knock-in nickel-plated die cast zinc

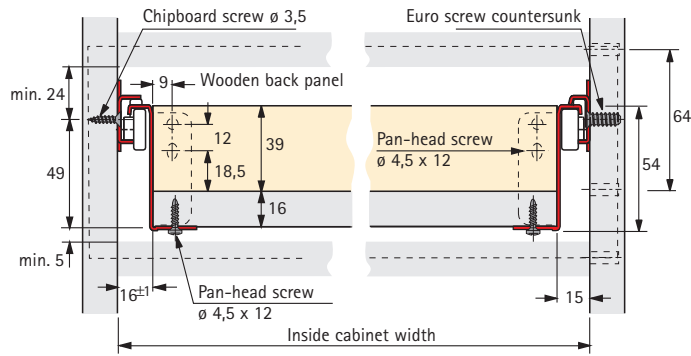
Industrial packing

Article	Order no.	PU
Front connector, knock-in left	1 064 578	100
Front connector, knock-in right	1 064 579	100

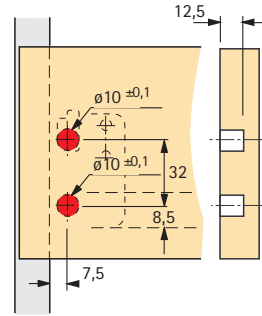
Distributor packing

Article	Order no.	PU
Front connector, knock-in left / right	079 173	10 sets

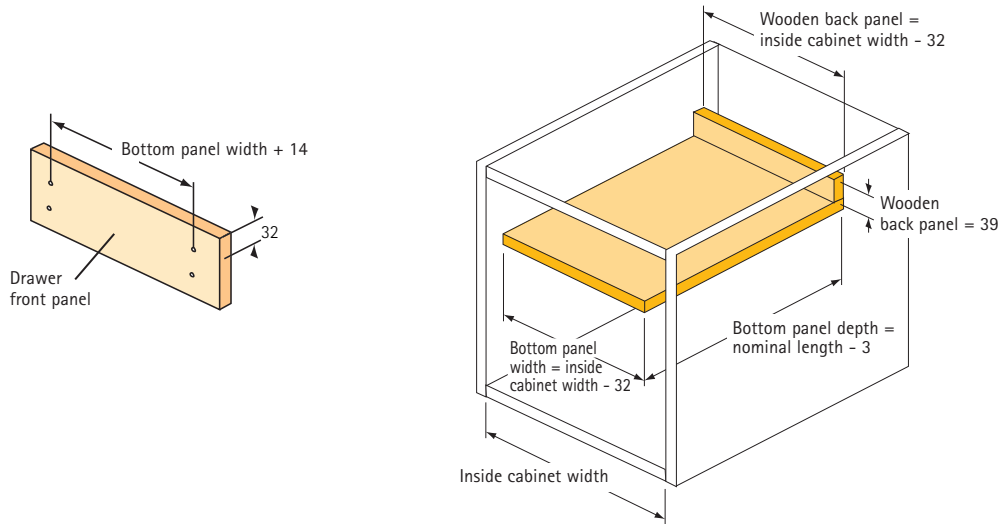
**Mounting example
for partial extension**



**Front connector
drilling position**



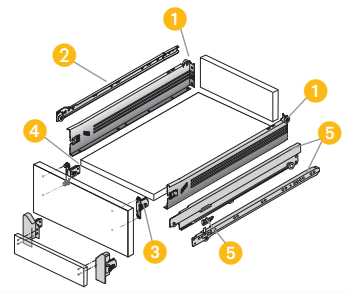
Dimensions



MultiTech 86

Steel profile system for variable drawer widths with self closing

- 1 Drawer profile
- 2 Drawer slide
- 3 Front connector right
- 4 Front connector left
- 5 Drawer slide, middle profile and pullout prevention



System benefits

- 3³/₈" (86 mm) height
- 6 lengths: 10"/14"/16"/18"/20"/22"
- Partial extension and full extension
- Load capacity 100 lbs K.C.M.A.

1 Drawer profile powder-coated steel, white

Length inch/mm	Order no.		PU
	left	right	
10"/250	9 050 619	9 050 620	25
14"/350	9 050 623	9 050 624	25
16"/400	9 050 627	9 050 628	25
18"/450	9 050 631	9 050 632	25
20"/500	9 050 635	9 050 636	25
22"/550	9 050 639	9 050 640	25

2 Drawer slide, partial extension powder-coated steel, white

Length inch/mm	Order no.		PU
	left	right	
10"/250	9 050 685	9 050 686	100
14"/350	9 050 687	9 050 688	100
16"/400	9 050 689	9 050 690	100
18"/450	9 050 691	9 050 692	100
20"/500	9 050 693	9 050 694	100
22"/550	9 050 695	9 050 696	100

Drawer set, height 3³/₈" (86 mm), white

Drawer set contains:

- 1 Drawer profile left/right
- 2 Drawer slide left/right, only with partial extension set
- 5 Drawer slide, middle profile and pullout prevention, only with full extension set

Length inch/mm	Order no. partial extension	PU	Order no.		PU
			partial extension	full extension	
10"/250	050 013	10 sets	–	–	–
14"/350	050 015	10 sets	–	–	–
16"/400	050 017	10 sets	051 401	–	6 sets
18"/450	050 019	10 sets	051 403	–	6 sets
20"/500	050 021	10 sets	051 405	–	6 sets
22"/550	050 023	10 sets	051 407	–	6 sets

Corner connector for internal drawer

white plastic

Article	Order no.	PU
Corner connector for internal drawer left / right	051 487	10 sets

Rear mounting bracket for face frame cabinets

plastic

Article	Order no.	PU
Rear mounting bracket left	052 101	600
Rear mounting bracket right	052 102	600
Recommended screw no. 6		

3 Front connector, screw-on nickel-plated steel

Industrial packing

Article	Order no.	PU
Front connector, screw-on left / right	9 052 273	200

Distributor packing

Article	Order no.	PU
Front connector, screw-on left / right	054 997	20

4 Front connector, knock-in nickel-plated steel

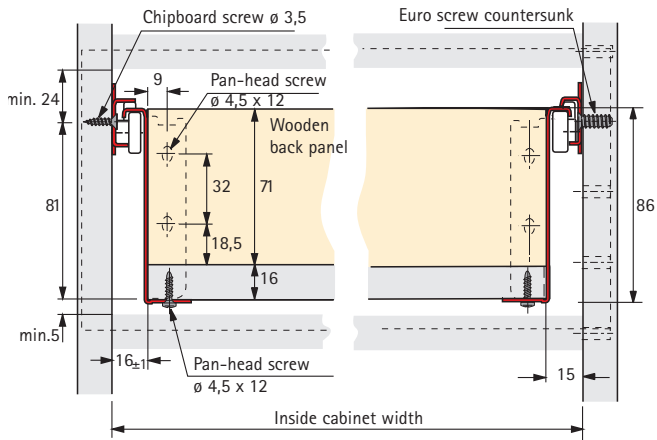
Industrial packing

Article	Order no.	PU
Front connector, knock-in left / right	9 052 275	200

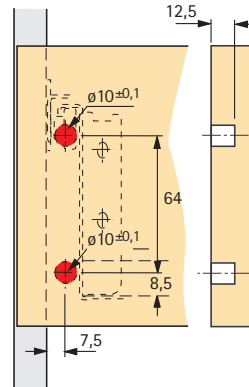
Distributor packing

Article	Order no.	PU
Front connector, knock-in left / right	054 998	20

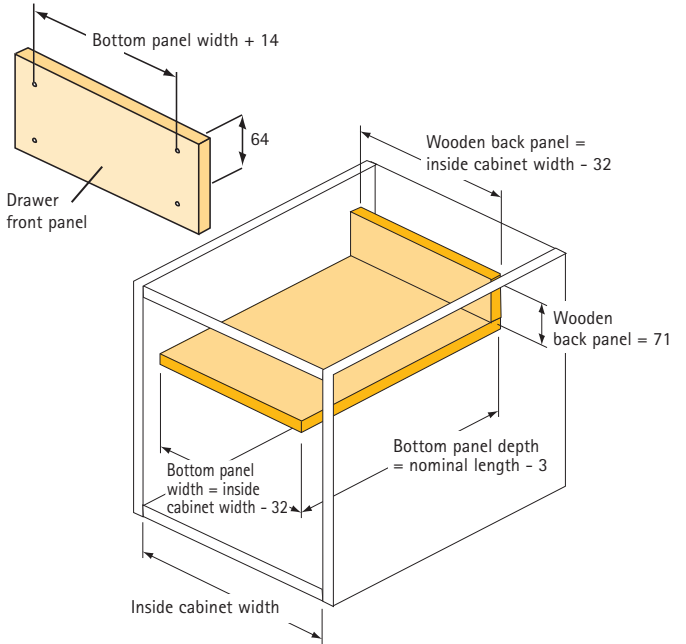
Mounting example for partial extension



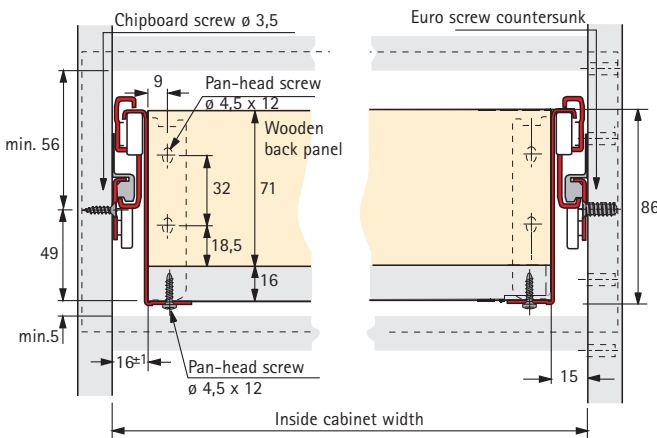
Front connector drilling position



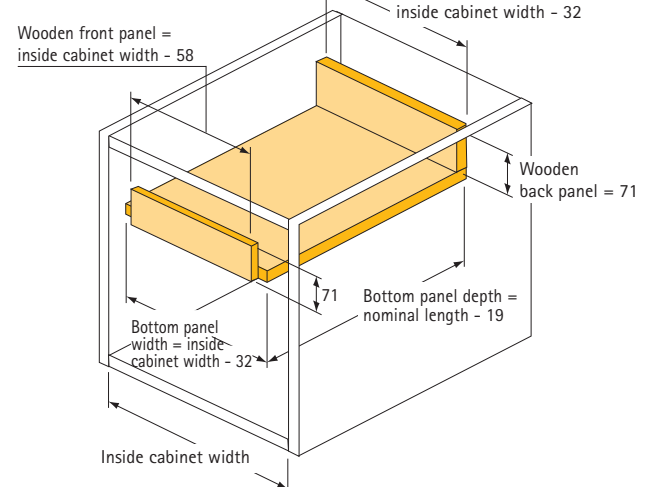
Dimensions drawer



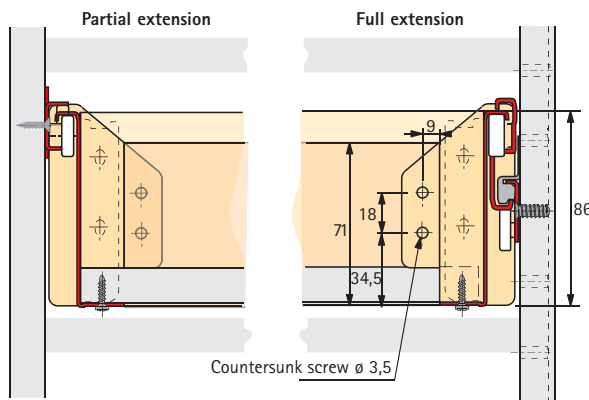
Mounting example for full extension



Dimensions inside drawer



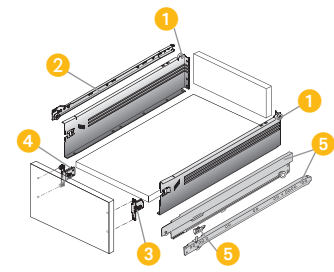
Mounting example for inside drawer



MultiTech 118

Steel profile system for variable drawer widths with self closing

- 1 Drawer profile
- 2 Drawer slide
- 3 Front connector right
- 4 Front connector left
- 5 Drawer slide, middle profile and pullout prevention



System benefits

- 4 5/8" (118 mm) height
- 6 lengths: 10"/14"/16"/18"/20"/22"
- Partial extension and full extension
- Load capacity 100 lbs K.C.M.A.

1 Drawer profile powder-coated steel, white

Length inch/mm	Order no.		PU
	left	right	
10"/250	9 050 750	9 050 739	25
14"/350	9 050 754	9 050 753	25
16"/400	9 050 760	9 050 759	25
18"/450	9 050 764	9 050 763	25
20"/500	9 050 768	9 050 767	25
22"/550	9 050 770	9 050 769	25

2 Drawer slide, partial extension powder-coated steel, white

Length inch/mm	Order no.		PU
	left	right	
10"/250	9 050 685	9 050 686	100
14"/350	9 050 687	9 050 688	100
16"/400	9 050 689	9 050 690	100
18"/450	9 050 691	9 050 692	100
20"/500	9 050 693	9 050 694	100
22"/550	9 050 695	9 050 696	100

Drawer set, height 4 5/8" (118 mm), white

Drawer set contains:

- 1 Drawer profile left/right
- 2 Drawer slide left/right, only with partial extension set
- 5 Drawer slide, middle profile and pullout prevention, only with full extension set

Length inch/mm	Order no. partial extension	PU	Order no.		PU
			partial extension	full extension	
10"/250	050 033	10 sets	–	–	–
14"/350	050 035	10 sets	–	–	–
16"/400	050 037	10 sets	051 417	–	6 sets
18"/450	050 039	10 sets	051 419	–	6 sets
20"/500	050 041	10 sets	051 421	–	6 sets
22"/550	050 043	10 sets	051 423	–	6 sets

Rear mounting bracket for face frame cabinets plastic

Article	Order no.	PU
Rear mounting bracket left	052 101	600
Rear mounting bracket right	052 102	600
Recommended screw no. 6		

3 Front connector, screw-on nickel-plated steel

Industrial packing

Article	Order no.	PU
Front connector, screw-on left / right	9 052 273	200

Distributor packing

Article	Order no.	PU
Front connector, screw-on left / right	054 997	20

4 Front connector, knock-in nickel-plated steel

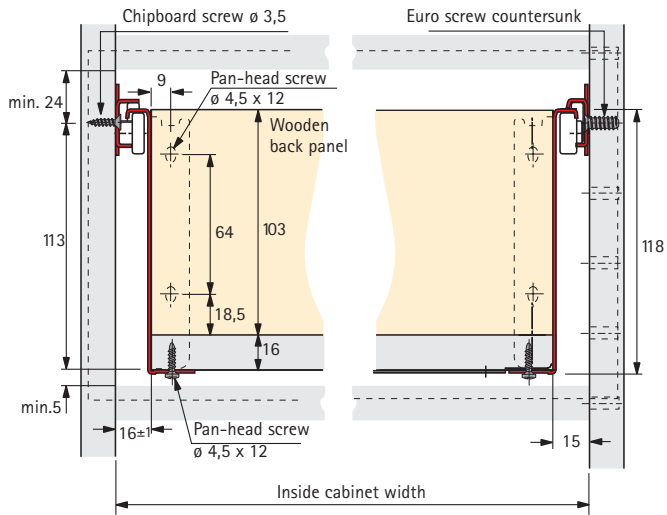
Industrial packing

Article	Order no.	PU
Front connector, knock-in left / right	9 052 275	200

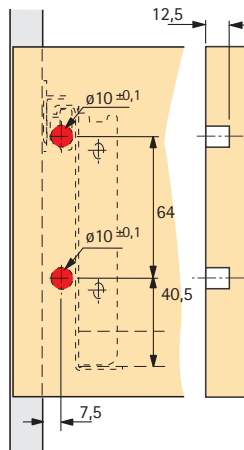
Distributor packing

Article	Order no.	PU
Front connector, knock-in left / right	054 998	20

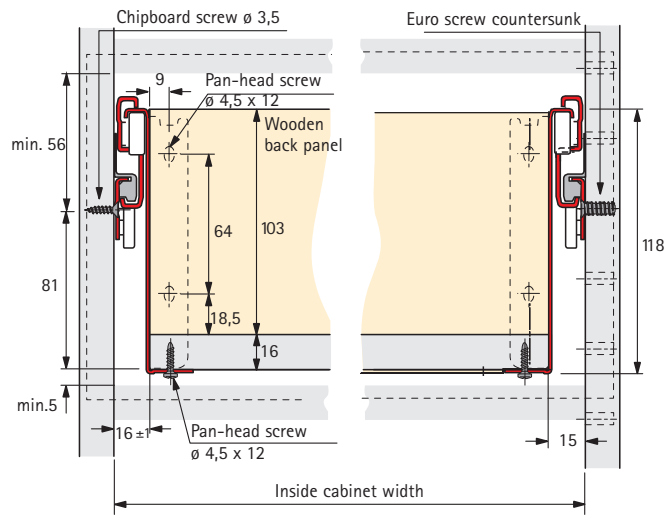
**Mounting example
for partial extension**



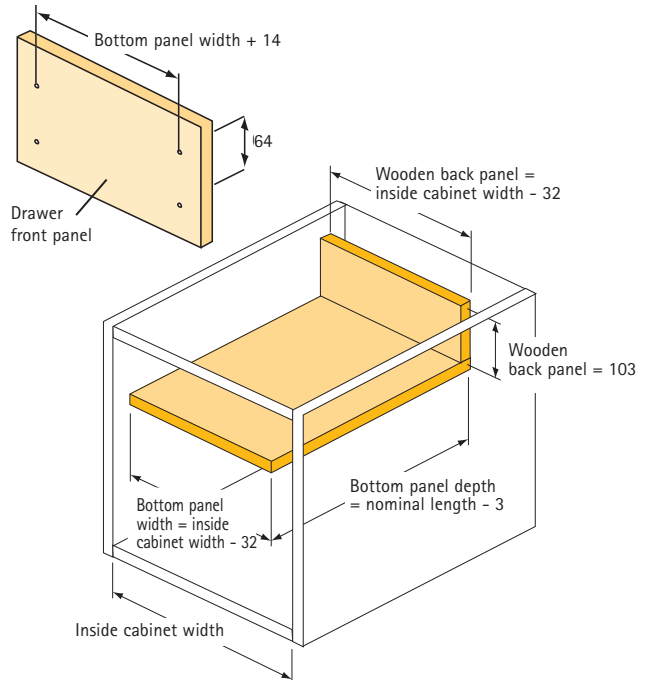
**Front connector
drilling position**



**Mounting example
for full extension**



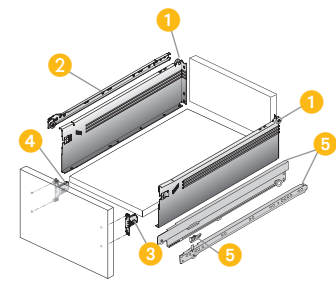
Dimensions



MultiTech 150

Steel profile system for variable drawer widths with self closing

- 1 Drawer profile
- 2 Drawer slide
- 3 Front connector right
- 4 Front connector left
- 5 Drawer slide, middle profile and pullout prevention



System benefits

- 6" (150 mm) height
- 6 lengths: 10"/14"/16"/18"/20"/22"
- Partial extension and full extension
- Load capacity 100 lbs K.C.M.A.

1 Drawer profile powder-coated steel, white

Length inch/mm	Order no.		PU
	left	right	
10"/250	9 050 709	9 050 710	25
14"/350	9 050 711	9 050 712	25
16"/400	9 050 713	9 050 714	25
18"/450	9 050 715	9 050 716	25
20"/500	9 050 717	9 050 718	25
22"/550	9 050 719	9 050 720	25

2 Drawer slide, partial extension powder-coated steel, white

Length inch/mm	Order no.		PU
	left	right	
10"/250	9 050 685	9 050 686	100
14"/350	9 050 687	9 050 688	100
16"/400	9 050 689	9 050 690	100
18"/450	9 050 691	9 050 692	100
20"/500	9 050 693	9 050 694	100
22"/550	9 050 695	9 050 696	100

Drawer set, height 6" (150 mm), white

Drawer set contains:

- 1 Drawer profile left/right
- 2 Drawer slide left/right, only with partial extension set
- 5 Drawer slide, middle profile and pullout prevention, only with full extension set

Length inch/mm	Order no. partial extension	PU	Order no.		PU
			partial extension	full extension	
10"/250	050 053	10 sets	–	–	–
14"/350	050 055	10 sets	–	–	–
16"/400	050 057	10 sets	051 433	–	6 sets
18"/450	050 059	10 sets	051 435	–	6 sets
20"/500	050 061	10 sets	051 437	–	6 sets
22"/550	050 063	10 sets	051 439	–	6 sets

Rear mounting bracket for face frame cabinets plastic

Article	Order no.	PU
Rear mounting bracket left	052 101	600
Rear mounting bracket right	052 102	600
Recommended screw no. 6		

3 Front connector, screw-on nickel-plated steel

Industrial packing

Article	Order no.	PU
Front connector, screw-on left / right	9 052 273	200

Distributor packing

Article	Order no.	PU
Front connector, screw-on left / right	054 997	20

4 Front connector, knock-in nickel-plated steel

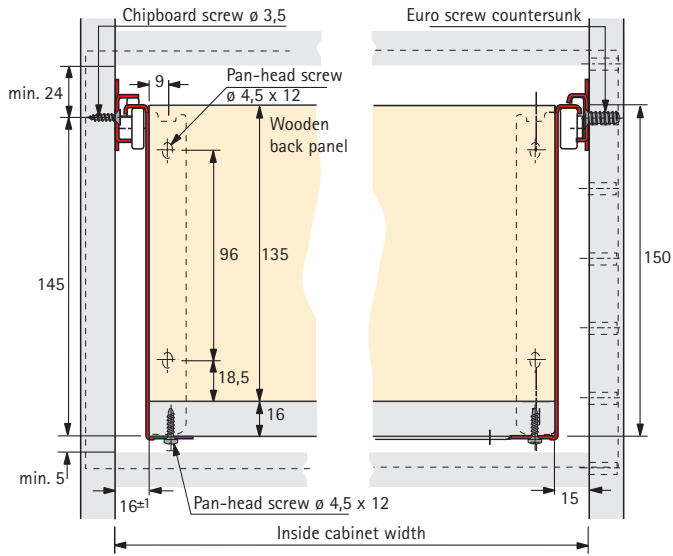
Industrial packing

Article	Order no.	PU
Front connector, knock-in left / right	9 052 275	200

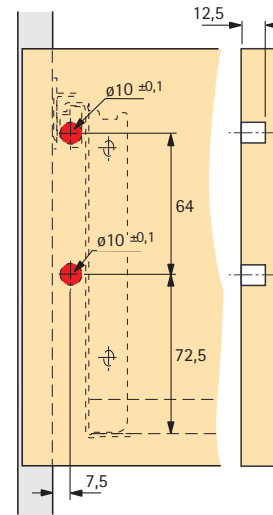
Distributor packing

Article	Order no.	PU
Front connector, knock-in left / right	054 998	20

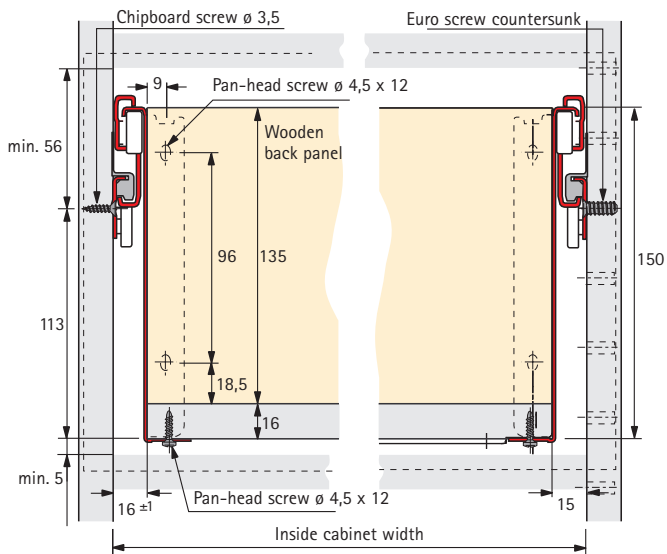
Mounting example for partial extension



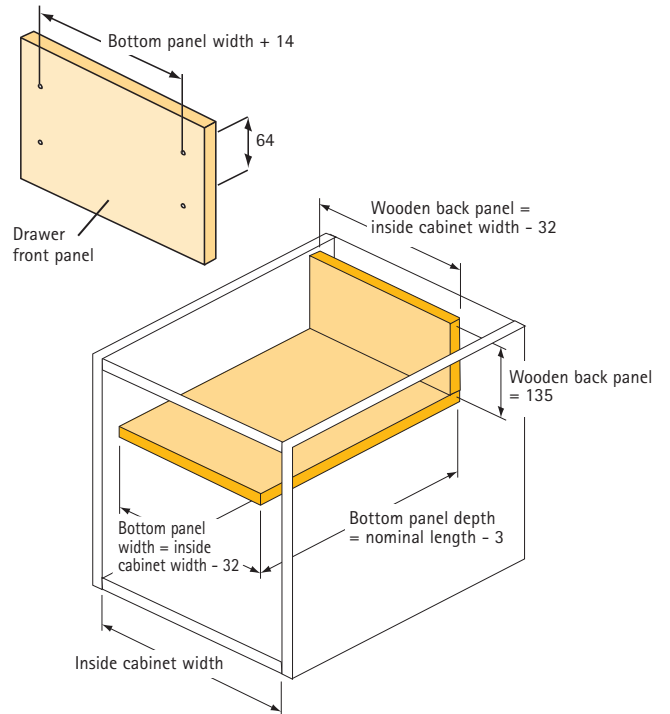
Front connector drilling position



Mounting example for full extension



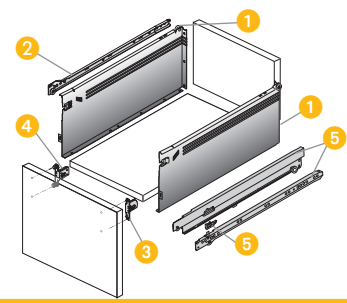
Dimensions



MultiTech 214

Steel profile system for variable drawer widths with self closing

- 1 Drawer profile
- 2 Drawer slide
- 3 Front connector right
- 4 Front connector left
- 5 Drawer slide, middle profile and pullout prevention



System benefits

- 8 3/8" (214 mm) height
- 4 lengths: 16"/18"/20"/22"
- Partial extension and full extension
- Load capacity 100 lbs K.C.M.A.

1 Drawer profile powder-coated steel, white

Length inch/mm	Order no.		PU
	left	right	
16"/400	9 054 921	9 054 922	10
18"/450	9 054 923	9 054 926	10
20"/500	9 054 927	9 054 928	10

2 Drawer slide, partial extension powder-coated steel, white

Length inch/mm	Order no.		PU
	left	right	
16"/400	9 050 689	9 050 690	100
18"/450	9 050 691	9 050 692	100
20"/500	9 050 693	9 050 694	100

Drawer set, height 8 3/8" (214 mm), white

Drawer set contains:

- 1 Drawer profile left/right
- 2 Drawer slide left/right, only with partial extension set
- 5 Drawer slide, middle profile and pullout prevention, only with full extension set

Length inch/mm	Order no. partial extension	PU	Order no.		PU
			partial extension	full extension	
16"/400	051 449	10 sets	051 465	6 sets	
18"/450	051 451	10 sets	051 467	6 sets	
20"/500	051 453	10 sets	051 469	6 sets	
22"/550	051 455	10 sets	051 471	6 sets	

Rear mounting bracket for face frame cabinets plastic

Article	Order no.	PU
Rear mounting bracket left	052 101	600
Rear mounting bracket right	052 102	600
Recommended screw no. 6		

3 Front connector, screw-on nickel-plated steel

Industrial packing

Article	Order no.	PU
Front connector, screw-on left / right	9 052 273	200

Distributor packing

Article	Order no.	PU
Front connector, screw-on left / right	054 997	20

4 Front connector, knock-in nickel-plated steel

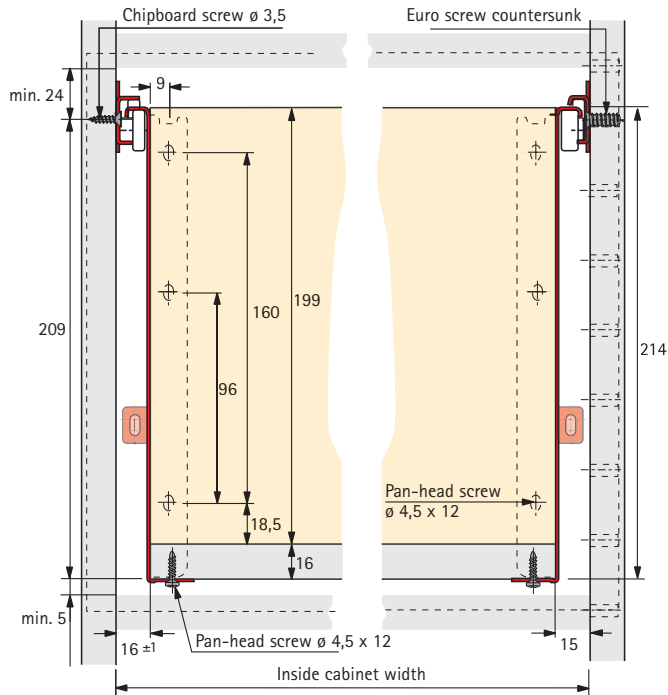
Industrial packing

Article	Order no.	PU
Front connector, knock-in left / right	9 052 275	200

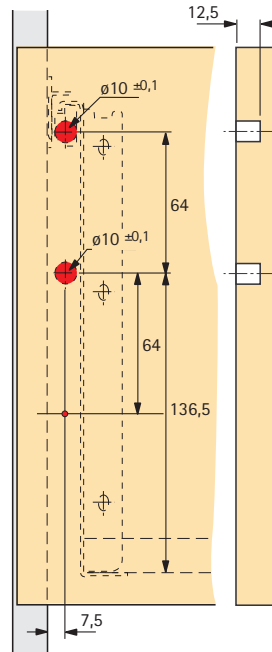
Distributor packing

Article	Order no.	PU
Front connector, knock-in left / right	054 998	20

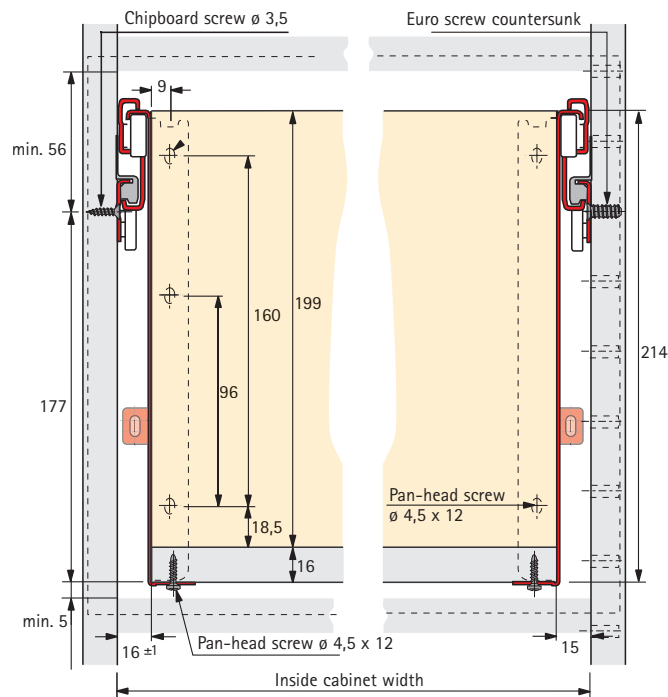
Mounting example for partial extension



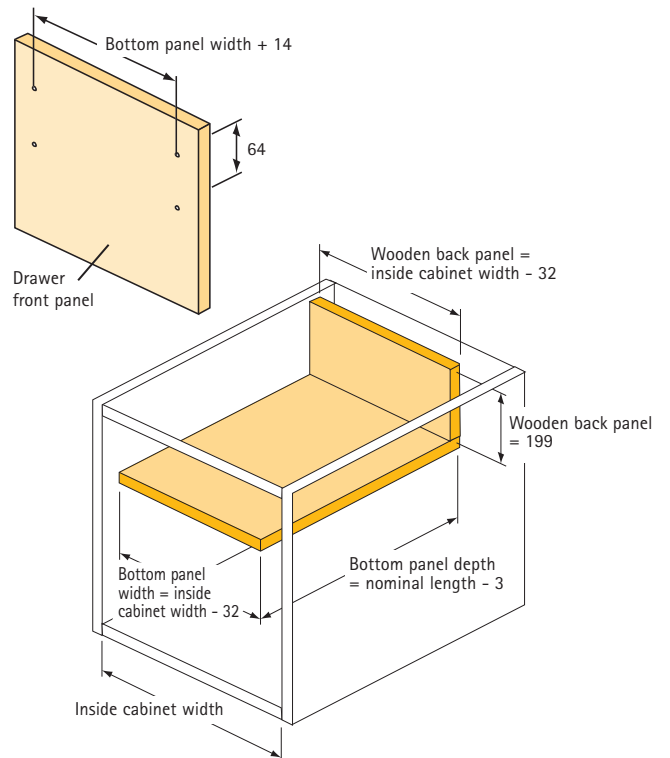
Front connector drilling position



Mounting example for full extension



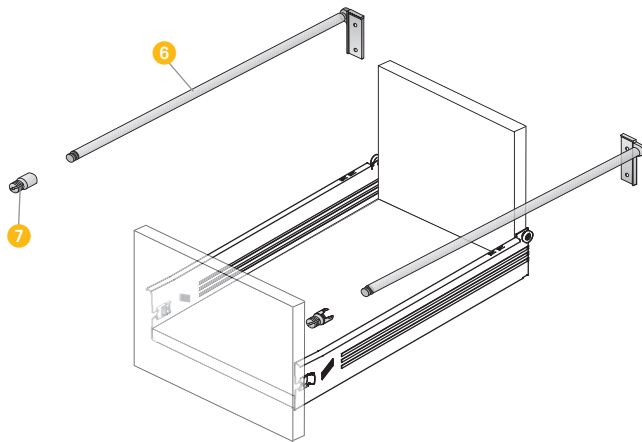
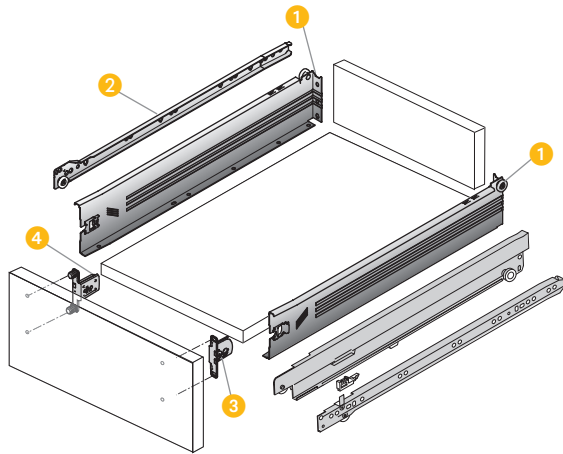
Dimensions



MultiTech

Pot-and-pan drawer

Steel profile system for variable drawer widths



System benefits

- 2 1/8" (54 mm), 3 3/8" (86 mm), 4 5/8" (118 mm), 6" (150 mm) or 8 3/8" (214 mm) drawers can be expanded to pot-and-pan drawers with a railing set
- Steel profile with roller runners as partial extension slide or full extension slide with self-closing feature
- Load capacity 100 lbs K.C.M.A.
- 3 nominal drawer lengths: 18"/20"/22" (450/500/550 mm)
- Finish: white
- Variable pot-and-pan drawer widths
- Quick drawer insertion and removal
- Simple assembly and front panel adjustment
- One-sided constrained guidance

The following components are all you need for assembling a MultiTech pot-and-pan drawer:

Industrial packing

- 1 Drawer profile left / right
- 2 Drawer slide left / right
- 3 Front connector right
- 4 Front connector left
- 6 Railing for pot-and-pan drawer
- 7 Front connector for railing

Distributor packing

- Drawer set, full extension slide or partial extension slide + Front connectors (see page 178 to 187)
- Railing set (see below)

6 Railing for pot-and-pan drawer white

Industrial packing

Length inch/mm	Order no.		PU
	left	right	
18"/400	1 064 372	1 064 377	100
20"/450	1 064 375	1 064 378	100
22"/500	1 064 376	1 064 379	100

7 Front connector for railing premounted knock-in screw, clear plastic

Industrial packing

Article	Order no.	PU
Front connector for railing	1 061 965	400

Railing-Set for pot-and-pan drawer white

contains:

- 6 Railing for pot-and-pan drawer
- 7 Front connector for railing

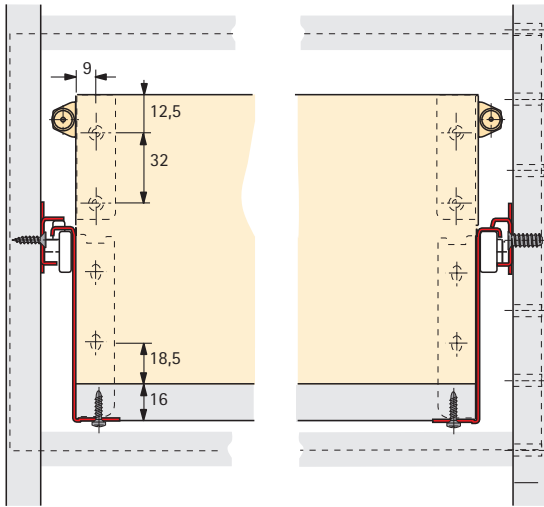
Distributor packing

Article	Order no.	PU
Railing-Set 450 mm	051 481	10 sets
Railing-Set 500 mm	051 483	10 sets
Railing-Set 550 mm	051 485	10 sets

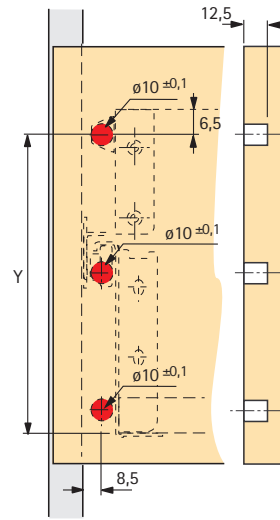
Rear mounting bracket for face frame cabinets plastic

Article	Order no.	PU
Rear mounting bracket left	052 101	600
Rear mounting bracket right	052 102	600
Recommended screw no. 6		

Mounting example



Front connector/railing
drilling position



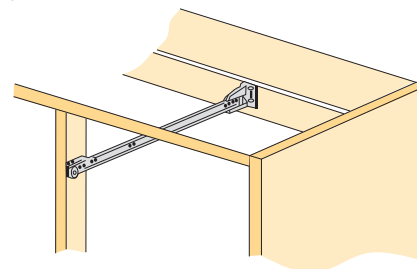
$Y = \text{Back panel height} +$
 $\text{bottom panel thickness} - 6,5 \text{ mm}$

MultiTech Accessories

Rear Mounting Bracket for MultiTech



The rear mounting bracket is especially designed for face frame construction as well as applications not using a full center panel. Positive fit between slide and bracket eliminates "twist-out" between parts. Interference between bracket and drawer box impossible. Elongated slots provide both horizontal and vertical adjustment. Attachment can be by screw or staples. Min. support 30 mm, max. support 86 mm.



Article	Finish	Order no.	PU
Rear mounting bracket left	plastic	052 101	600
Rear mounting bracket right	plastic	052 102	600
Recommended screw no. 6			

Marking gauge Practica for MultiTech drawers/pot-and-pan drawer

The MultiTech front panel gauge (universal angle stop and drilling template) makes it easy to drill holes in any required position for fixing the front panel to the drawer/pot-and-pan drawer.



Article	Order no.	PU
Practica universal angle stop	078 093	1
Article	Order no.	PU
Practica drilling template	079 637	1
Article	Order no.	PU
Sleeve drill \varnothing 10 mm	078 096	1
Spare drill \varnothing 10 mm	079 005	1

Insertion die for front connectors

for Blue Max mini and Blue Max 6/8/19



Article	Order no.	PU
Insertion die for MultiTech 54	079 566	1
MultiTech 86/118/150 and 214	040 129	1

Assembly jig

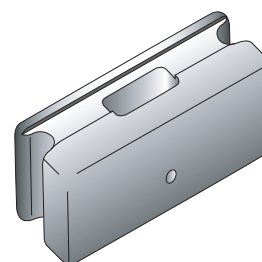
for simple, fast and precise assembly of MultiTech cabinet runners



Article	Finish	Order no.	PU
Assembly jig	blue	064 820	1

Mounting tool

for knock-in assembly of front connectors



Article	Order no.	PU
Mounting tool for MultiTech 54	079 564	1
MultiTech 86/118/150 and 214	040 133	1