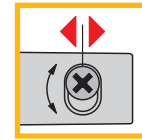
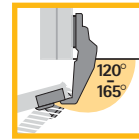


Intermat 9956

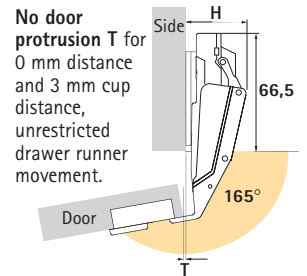
Fast-assembly hinge

0 Protrusion

Opening angle 165°-120°



Concealed wide-angle hinge, snap-on assembly, integrated door overlay and eccentric depth adjustment
 Opening angle 165° – the opening angle can be variably adjusted up to 120° with the adjustment screw (Order-no. 079 791)*. Cup diameter 35 mm
 The wide-angle hinge enables an optimal reveal (hairline reveal)
 Negative door protrusion
 Intermat 9956 hinges are snapped on to the mounting plate
 Depth adjustment via eccentric screw -0,5 mm/+3,5 mm
 Height adjustment via mounting plate +2 mm/-2 mm
 Overlay adjustment +0,5 mm/-3 mm



Mounting plates page 57-60
 Cover caps, accessories page 61
 For more technical information refer to page 32-36

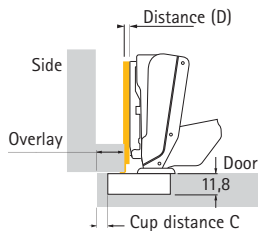
Minimum reveal

Cup distance C mm	Door thickness mm				
	16	17	18	19	20
3	0	0	0	0	0
4	0	0	0	0	0
4,5	0	0	0	0	0
5	0	0	0	0	0
6	0	0	0	0	0

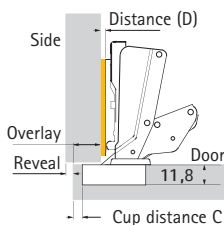
Mounting option	H mm	T mm
Full overlay	46	-1,5
Half overlay	55,5	8

Cabinet construction

Face Frame



Frameless



Full overlay

	PU 100
TB 42 (screw-on)	1 076 819
TB 43 (press-in)	1 073 385
TB FIX (toolless)	1 073 376

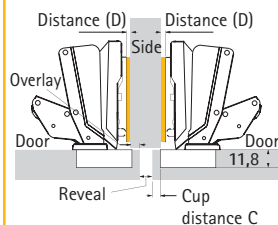
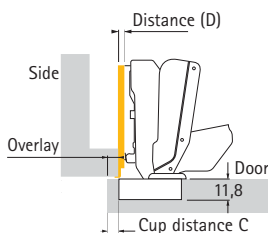
Door buffer Silent System (grey)

	screw-on	drill-in
	9 015 115	9 013 069
	PU: 400	PU: 800

D	Overlay mm					
0	16	17	17,5	18	19	
1,5	14,5	15,5	16	16,5	17,5	
3	13	14	14,5	15	16	
5	11	12	12,5	13	14	
8	8	9	9,5	10	11	
	3	4	4,5	5	6	

Cup distance C mm

Mounting plate distances (D):
 Face frame: 0 mm; 4,5 mm
 Frameless: 0 mm; 1,5 mm; 3 mm; 5 mm; 8 mm



Half overlay

	PU 100
TB 42 (screw-on)	9 008 111
TB 43 (press-in)	1 073 407
TB FIX (toolless)	1 073 380

Door buffer Silent System (grey)

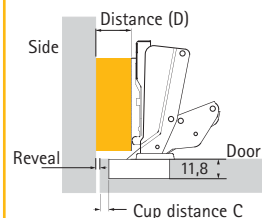
	screw-on	drill-in
	9 015 115	9 013 069
	PU: 400	PU: 800

D	Overlay mm					
1,5	5	6	6,5	7	8	
	3	4	4,5	5	6	

Cup distance C mm

D	Reveal mm						Side
1,5	6	4	3	2	0	16	
1,5	9	7	6	5	3	19	
	3	4	4,5	5	6		

Cup distance C mm



Inset

	PU 100
TB 42 (screw-on)	9 008 111
TB 43 (press-in)	1 073 407
TB FIX (toolless)	1 073 380

Door buffer Silent System (grey)

	screw-on
	9 027 941
	PU: 50

D	Reveal mm		
8	1,5	0,5	0
	3	4	4,5

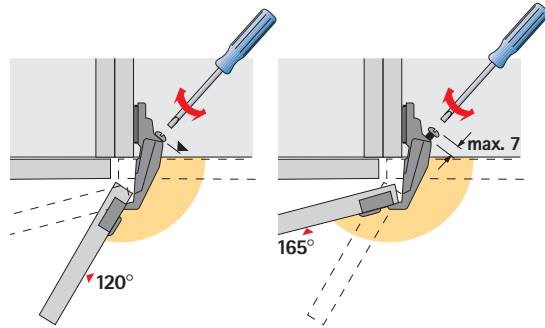
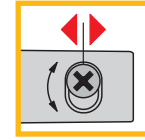
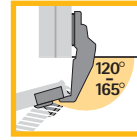
Cup distance C mm

Intermat 9956

Fast-assembly hinge

0 Protrusion

Opening angle 165°-120°



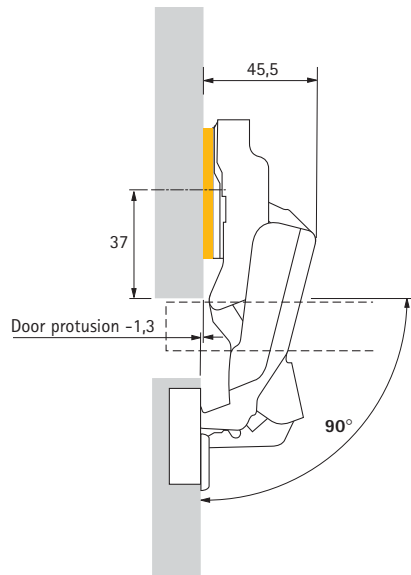
* Opening angle 165° – stepless adjustment of the opening angle up to 120° via the adjustment screw M5x14 mm.

Adjustment screw M5 x14 mm

Order no.	PU
079 791	50

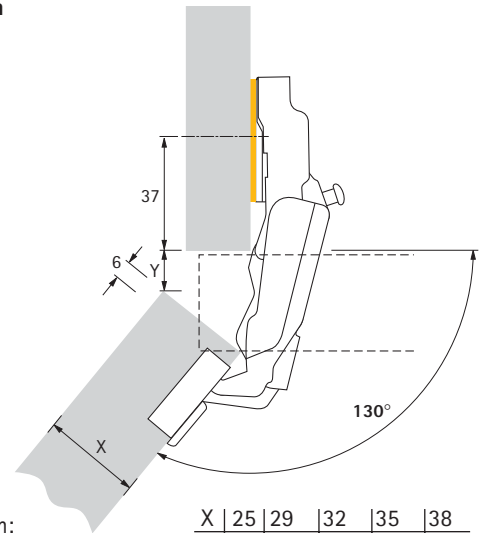
Mounting configurations Intermat 9956

0 Potrusion



Mounting configuration:
Intermat 9956 full overlay
Mounting plate distance (D): 0 mm

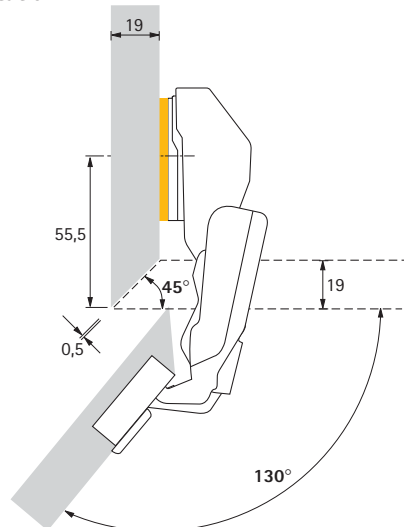
Thick door application



Mounting configuration:
Intermat 9956 full overlay
Mounting plate distance (D): 0 mm
Use adjustment screw (Order no. 079 791) to restrict opening angle.

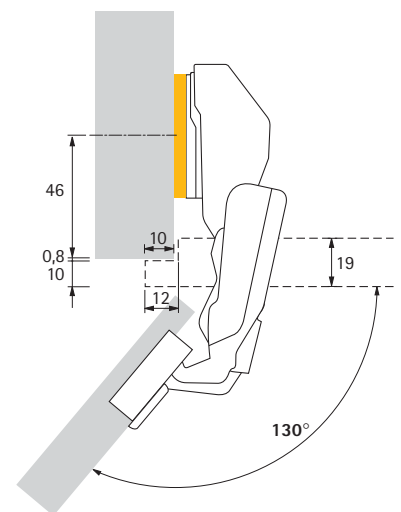
X	25	29	32	35	38
Y	24	21,3	19,4	17,5	15,5

Mitered corner door application



Mounting configuration:
Intermat 9956 half overlay
Mounting plate distance (D): 5 mm
Use adjustment screw (Order no. 079 791) to restrict opening angle.

Lip door application



Mounting configuration:
Intermat 9956 half overlay
Mounting plate distance (D): 3 mm
Use adjustment screw (Order no. 079 791) to restrict opening angle.