

# Selekta Pro 2000

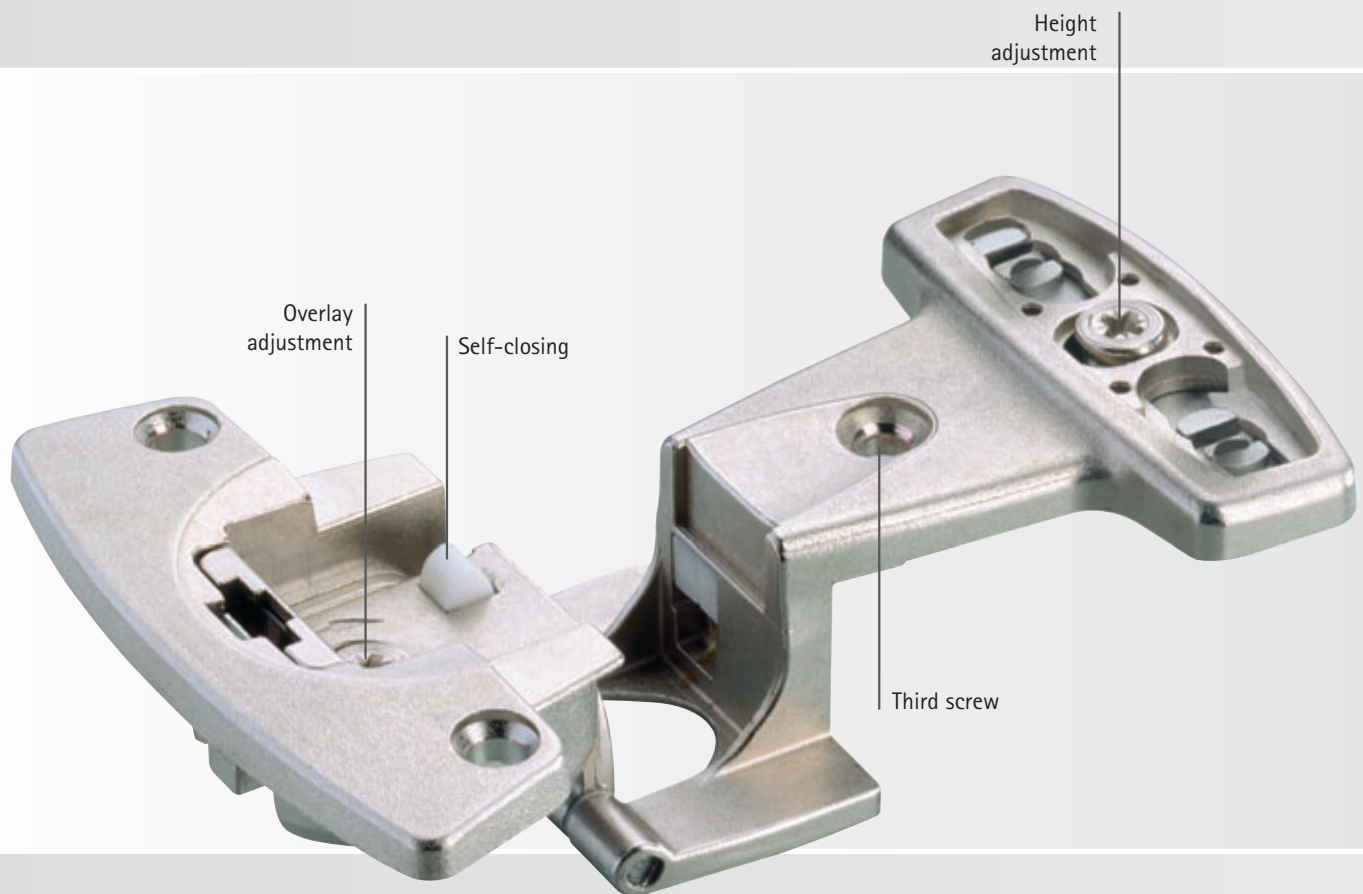
Fast assembly hinges for office  
and commercial furniture



# Selekta Pro 2000

## The program

- opening angles 180° and 270°
- with pre-mounted pan-head screws
- with eccentric height adjustment  $\pm 2$  mm
- with eccentric overlay adjustment  $-2$  mm



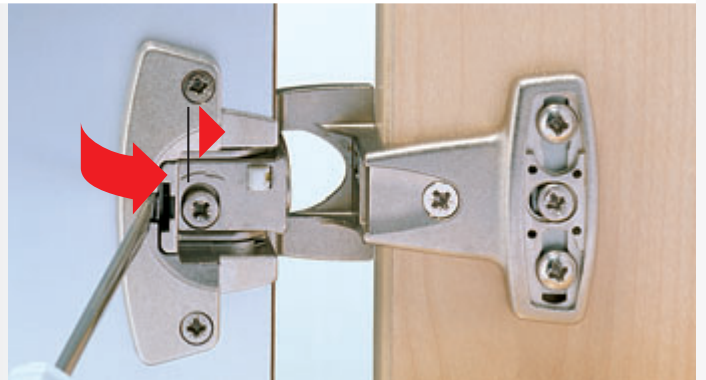
Perfect **Function**  
**attractive** design

# Fast-assembly hinge for office and commercial furniture

Light finger pressure is enough  
and the hinge is securely and  
quickly mounted.



Disassembly  
with a screw driver



Overlay adjustment  
with eccentric screw (-2 mm)



Height adjustment  
with eccentric screw ( $\pm 2$  mm)



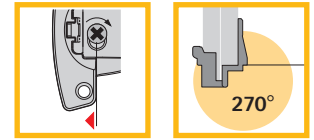
# Selekta Pro 2000

## Single pivot hinge with snap-on assembly

### For single cabinets, 19 mm sides/doors

### Opening angle 270°, hole line 32 mm

For hole line 32 mm,  
spacing 37 mm



Single pivot hinge with visible knuckle, for cabinet construction and 19 mm sides/doors, precision die-cast zinc

Opening angle 270°, cup diameter 35 mm, door overlay 15 mm.  
Knuckle diameter 5,4 mm, knuckle length 39 mm.

Separate mounting of cup and hinge arm.

Hinge arm with **pre-mounted pan-head screws**.

Fast-assembly of doors via snap-on attachment, without tools.

High degree of protection against unintentional detachment: The lock can only be released with a screwdriver.

No door protrusion with 180° opening angle, free interior space for pull out elements.

Overlay adjustment via eccentric screw -2 mm.

Height adjustment + 2 mm/- 2 mm

by means of eccentric screw in hinge arm.

**System  
32**

Fixing countersunk screw  $\varnothing$  3,5 x 16 mm  
for cup TB 22

Finish	Order no.	PU
nickel-plated	071 925	200

Selekta Pro 2000  
hinge =  
Hinge arm + cup

#### Hinge version

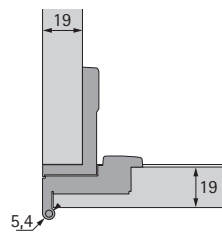
Corner hinge for  
single cabinet construction

Door overlay 15 mm  
Opening angle 270°



#### Mounting option

Knuckle flush



#### Hinge arm (order cups separately, see page 103)

Selekta Pro 2000  
Die-cast zinc  
with self-closing

Finish	Order no.	PU
nickel-plated	9 022 299	200

For cup variants, see page 103

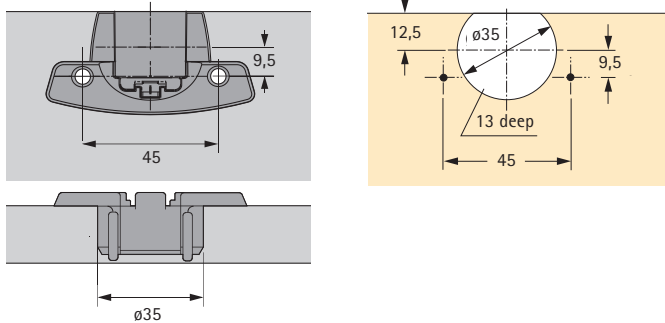
## Specification

Hettich-Selekta Pro 2000 for cabinet construction and 19 mm sides/doors  
 Single pivot hinge with snap-on assembly  
 Overlay and height adjustment via eccentric screw  
 Hinge arm with pre-mounted pan-head screws  
 Hole line 32 mm, opening angle 270°, precision die-cast zinc

**Cup TB 22**  
 Screw-on  
 Die-cast zinc

Finish	Order no.	PU
nickel-plated	1 083 439	200

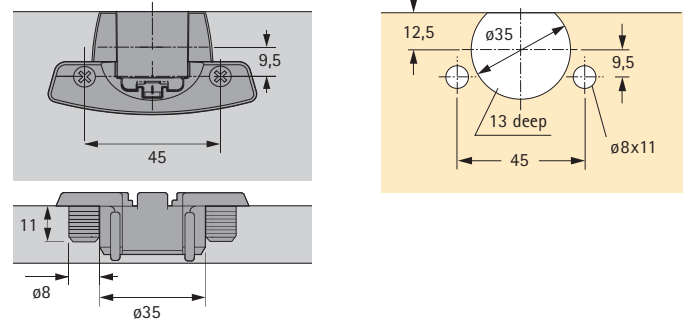
**TB 22 hole dimensions**



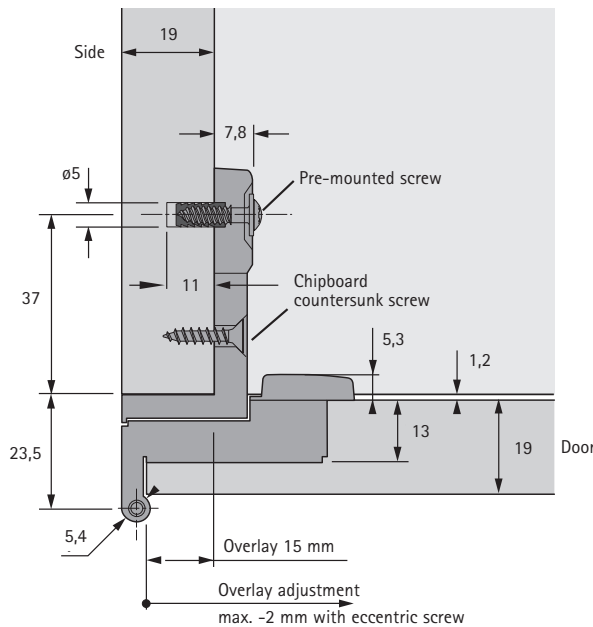
**Cup TB 23**  
 Press-in  
 Die-cast zinc

Finish	Order no.	PU
nickel-plated	1 080 575	200

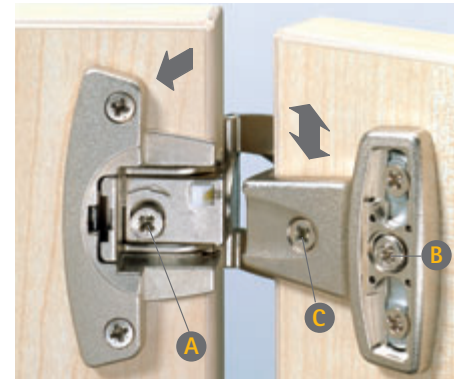
**TB 23 hole dimensions**



## Mounting example



## Door adjustment



### Overlay adjustment

Turn **eccentric screw (A)** to right, the overlay can be reduced max. -2 mm.

### Eccentric height adjustment ( $\pm 2$ mm)

Turn eccentric screw (B) to right or left to lower or raise the door height.

Then screw in the **chipboard countersunk screws (C)**  $\varnothing 4 \times 16$  mm, order no. 010085, PU 200 pcs.

## Accessories

**Cover cap for Seleakta Pro 2000**



Finish	Order no.	PU
silver-grey plastic	010 067	50

**Insertion dies for drilling machine**

Hole dimension	Order no.	PU
TB 23	010 080	1

**Hinge arm fixing screw**  
 $\varnothing 6,3 \times 14$  mm  
 for hole diameter 5 mm



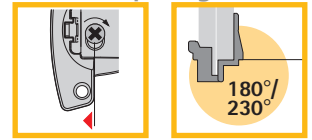
Finish	Order no.	PU
nickel-plated	9 021 314	500

# Selekta Pro 2000

## Single-pivot hinge with snap-on assembly for storage wall and single cabinet construction, 19 mm sides/doors

### Opening angle 180°/230°, hole line 32 mm

For hole line 32 mm,  
spacing 37 mm



Single pivot hinge with visible knuckle, for storage wall and single cabinet construction, with 19 mm sides/door, precision die-cast zinc  
Opening angle 180°/230°, cup diameter 35 mm, door overlay 11 or 5,5 mm.  
Knuckle diameter 7,0 mm, knuckle length 39 mm.

Separate mounting of cup and hinge arm.

Hinge arm with **pre-mounted pan-head screws**.

Fast-assembly of doors via snap-on attachment, without tools.

High degree of protection against unintentional detachment: The lock can only be released with a screwdriver.

No door protrusion at an opening angle of 180° or greater, leaving interior free for drawers.

Overlay adjustment via eccentric screw -2 mm.

Height adjustment + 2 mm/- 2 mm

by means of eccentric screw in hinge arm.

**System  
32**

Fixing countersunk screw  $\varnothing$  3,5 x 16 mm  
for cup TB 22

Finish	Order no.	PU
nickel-plated	071 925	200

Selekta Pro 2000  
hinge =  
Hinge arm + cup

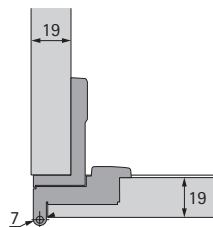
#### Hinge version

**Corner hinge for single cabinet construction**  
Door overlay 11 mm  
Opening angle 230°



#### Mounting option

Knuckle flush



#### Hinge arm (order cups separately, see page 105)

**Selekta Pro 2000**  
Die-cast zinc  
**with self-closing**

Finish	Order no.	PU
nickel-plated	9 037 906	200

For cup variants, see page 105

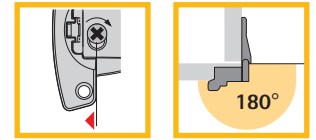


# Selekta Pro 2000 E

## Single-pivot hinge with snap-on assembly for inset doors single cabinets

### 19 mm sides/doors, opening angle 180°

For hole line 32 mm



Single pivot hinge with visible knuckle for inset doors, for cabinet construction and 19 mm sides/doors, hole line 32 mm  
Precision zinc diecast

Opening angle 180°, cup diameter 35 mm.  
Knuckle diameter 5,4 mm, knuckle length 39 mm.  
Separate mounting of cup and hinge arm.

Hinge arm with **pre-mounted pan-head screws**.

Fast-assembly of doors via snap-on attachment, without tools.

High degree of protection against unintentional detachment: The lock can only be released with a screwdriver.

No door protrusion with 180° opening angle, free interior space for pull out elements.

Reveal adjustment via eccentric screw -2 mm.

Height adjustment + 2 mm/- 2 mm  
by means of eccentric screw in hinge arm.

**System**  
**32**

Fixing countersunk screw  $\varnothing$  3,5 x 16 mm  
for cup TB 22

Finish	Order no.	PU
nickel-plated	071 925	200

Selekta Pro 2000 E  
hinge =  
Hinge arm + cup

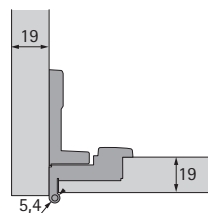
#### Hinge version

Corner hinge for  
single cabinet construction  
Opening angle 180°



#### Mounting option

Inset



#### Hinge arm (order cups separately, see page 107)

Selekta Pro 2000  
Die-cast zinc  
with self-closing

Finish	Order no.	PU
nickel-plated	9 037 251	200

For cup variants, see page 107



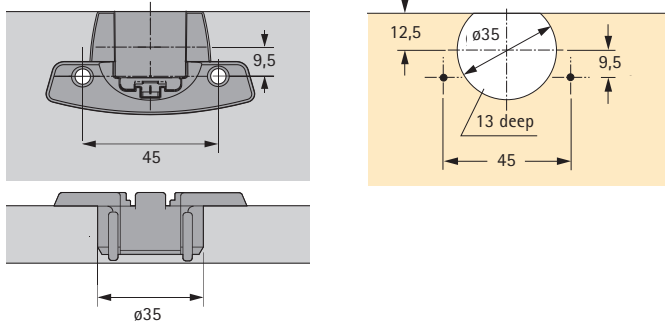
## Specification

Hettich-Selekta Pro 2000 E for inset doors, cabinet construction with 19 mm sides/doors  
 Single pivot hinge with snap-on assembly  
 Side and height adjustment by means of eccentric screw  
 Hinge arm with pre-mounted pan-head screws  
 Hole line 32 mm, opening angle 180°, precision die-cast zinc

**Cup TB 22**  
 Screw-on  
 Die-cast zinc

Finish	Order no.	PU
nickel-plated	1 083 439	200

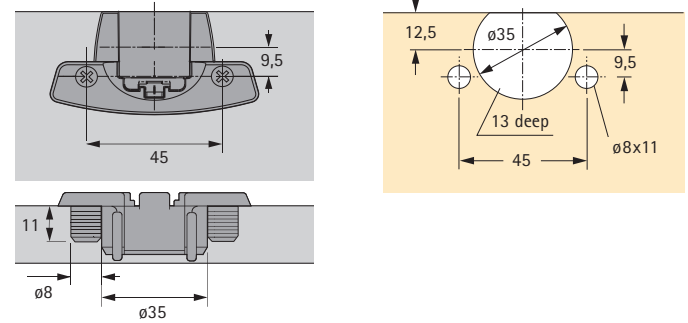
**TB 22 hole dimensions**



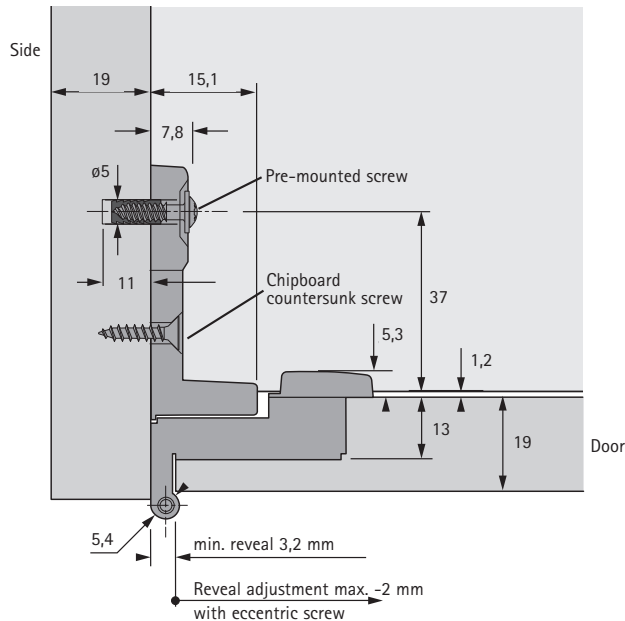
**Cup TB 23**  
 Press-in  
 Die-cast zinc

Finish	Order no.	PU
nickel-plated	1 080 575	200

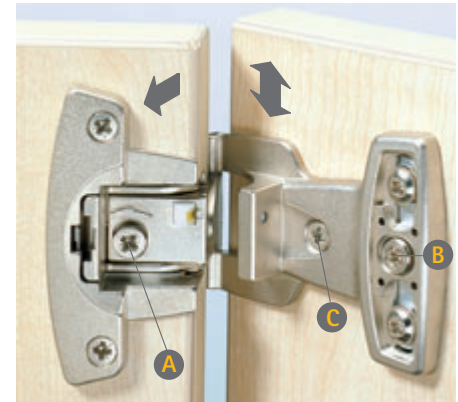
**TB 23 hole dimensions**



## Mounting example



## Door adjustment



### Reveal adjustment

Turn eccentric screw (A) to right, to adjust the reveal by max. 2 mm.

### Eccentric height adjustment ( $\pm 2$ mm)

Turn eccentric screw (B) to right or left to lower or raise the door height. Then screw in the **chipboard countersunk screws (C)**  $\varnothing 4 \times 16$  mm, order no. 010 085, PU 200 pcs.

## Accessories

**Cover cap for Seleakta Pro 2000**



Finish	Order no.	PU
silver-grey plastic	010 067	50

**Insertion dies for drilling machine**

Hole dimension	Order no.	PU
TB 23	010 080	1

**Hinge arm fixing screw**  
 $\varnothing 6,3 \times 14$  mm  
 for hole diameter 5 mm



Finish	Order no.	PU
nickel-plated	9 021 314	500