

Top Line Grant 71-222

up to 150 lbs/door (68 kg/door)

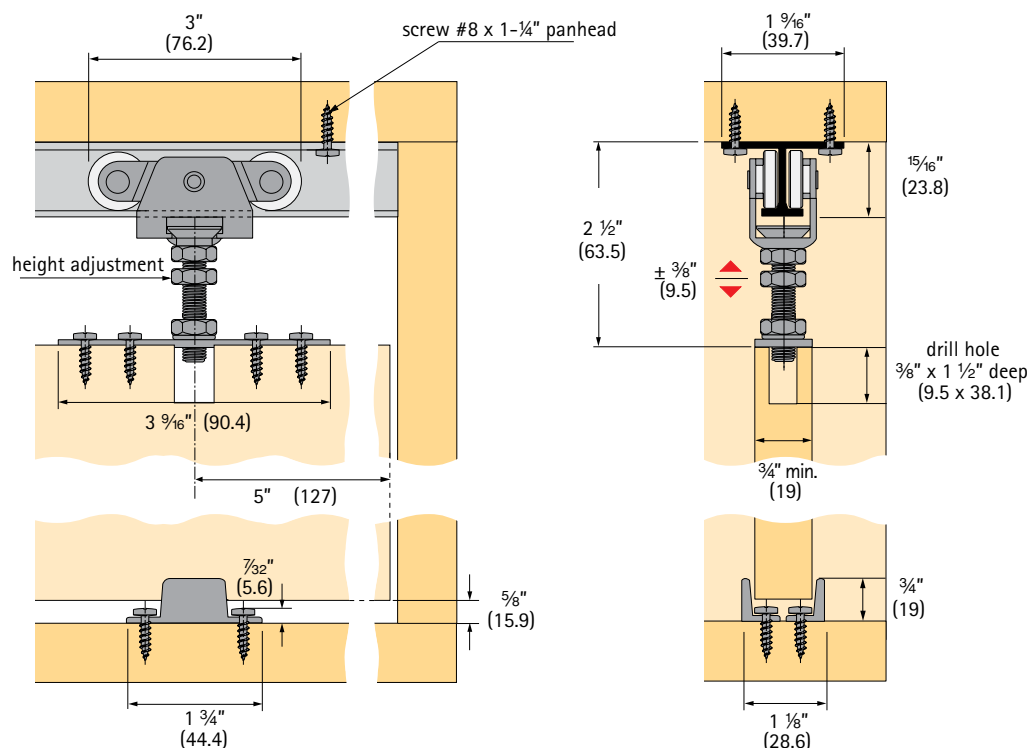
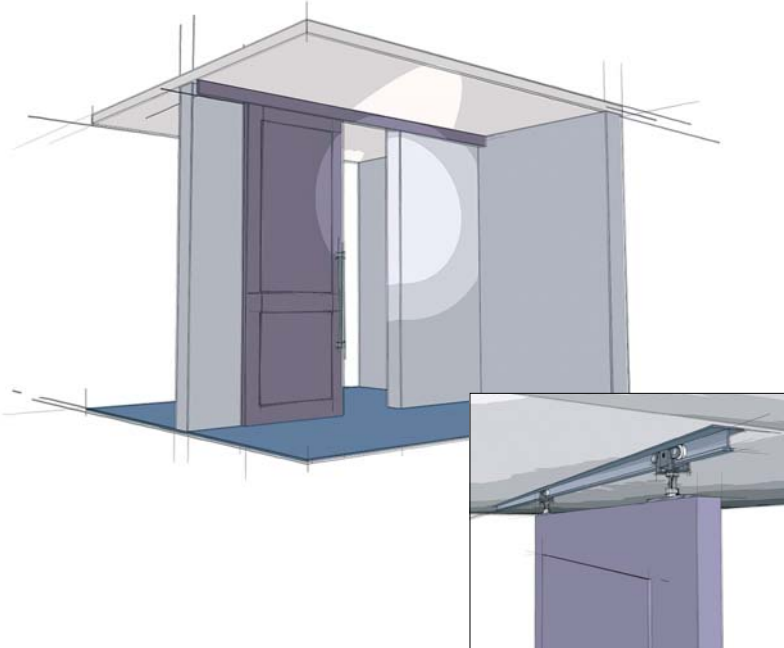
for door thickness $\frac{3}{4}$ " (19 mm) minimum, top mount, adjustable



Top Line Grant 71-222

A medium duty commercial and residential grade sliding door hardware series ideal for single and bi-parting installations. Applications include doors between rooms, closet doors, cabinets, storage walls, and partitions.

- For doors $\frac{3}{4}$ " and up weighing up to 150 lbs (68 kg), optional nylon wheel carrier up to 100 lbs (45 kg)
- Precision ball-bearing wheels guarantee a smooth, quiet and long lasting performance.
- Heavy duty aluminum I-beam track; jump proof design
- Pivoting rocker arms ensure track-carrier contact.
- Ball and socket suspension compensates for minor header misalignment.
- Lock nut guarantees permanent positioning.
- Vertical adjustment $\frac{3}{4}$ " (19.1 mm)
- Conforms to ANSI/BHMA standards, Grade 1
- Made in USA



Technical specifications are subject to change without notice

Specifications:

Mounting: Top
 Adjustment: 3/4" (19 mm) vertical
 Door thickness: 3/4" (19 mm) min.
 Headroom: 2 1/8" (53.9 mm) min., 2 7/8" (73 mm) max.
 Application: Single & bi-parting

Top Line Grant 71 – 222 door hardware is available in four purchasing options

Option I

Complete package: includes track, hardware set, and all screws

Hardware and track

Length	Order no.	PU
4' (1200 mm)	113 334 6	5 sets
5' (1500 mm)	113 334 7	5 sets
6' (1800 mm)	113 334 8	5 sets
8' (2400 mm)	113 334 9	5 sets

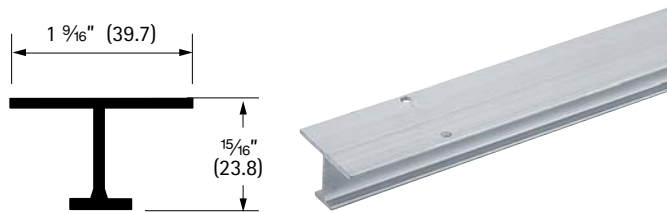
For longer track application order hardware set and track separately

Option II

Track only

Single track 7001

Aluminum extruded, pre-drilled holes



Length	Order no.	PU
4' (1200 mm)	050 519	5
5' (1500 mm)	050 520	5
6' (1800 mm)	050 521	5
8' (2400 mm)	050 522	5
10' (3000 mm)	050 523	5
12' (3600 mm)	050 524	5
16' (4800 mm)	050 525	5

Screws not included - recommend #8 Pan Head

Tracks 8' and under are notched at one end for easy access

Option III

Hardware set only

Top Line Grant 71 – 222 hardware set (without track)

The hardware set includes:

- 2 carriers 7000 precision ball bearing wheels
- 2 top plates with adjustable pendant bolts 7222
- 1 floor guide 110
- 1 wrench
- necessary screws
- installation instructions

Article	Order no.	PU
Hardware set	113 334 5	10 sets

Option IV

Separate components

Top Line Grant 71 – 222 components

Carrier 7000 ball bearing

Steel, precision ball bearing wheels, up to 150 lbs/door (68 kg/door)



Finish	Order no.	PU
zinc-plated	113 333 9	100

Top plate 7222

Steel, with pendant bolt, adjustable

Screws included



Finish	Order no.	PU
zinc-plated	050 566	50

Floor guide 110

Nylon, sold in pairs

Screws included



Finish	Order no.	PU
N/A	050 101	50 sets

Optional parts (not included in set)

Carrier 7000 nylon

Steel, wheel nylon, rubber stop, up to 100 lbs/door (45 kg/door)



Finish	Order no.	PU
zinc-plated	113 333 8	100

Bumper stop 7014

Steel, track mounted, rubber stop, 2 required per track



Finish	Order no.	PU
zinc-plated	050 561	20