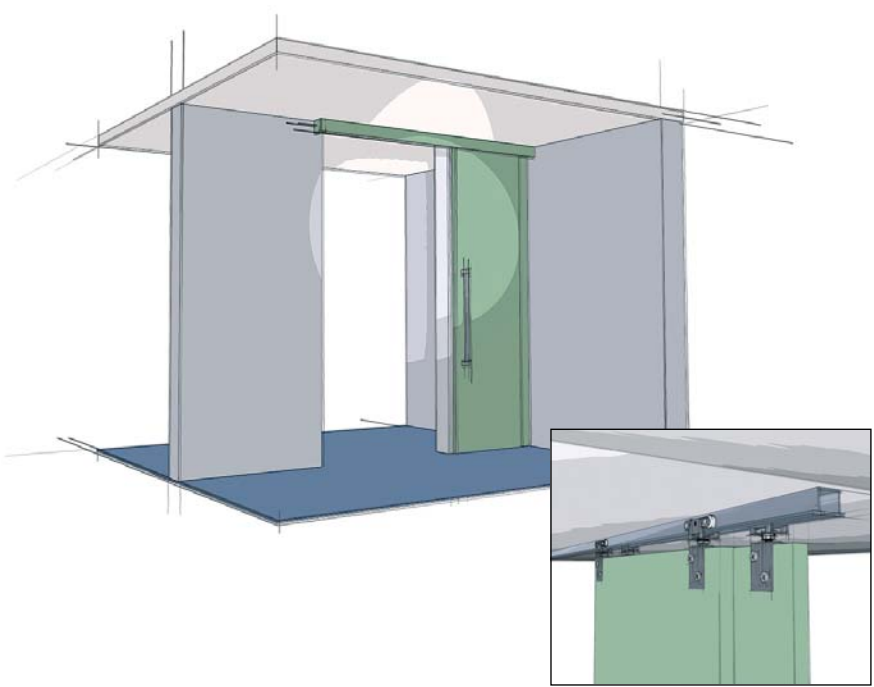


By-passing Door Sets Top Line Grant 72-034

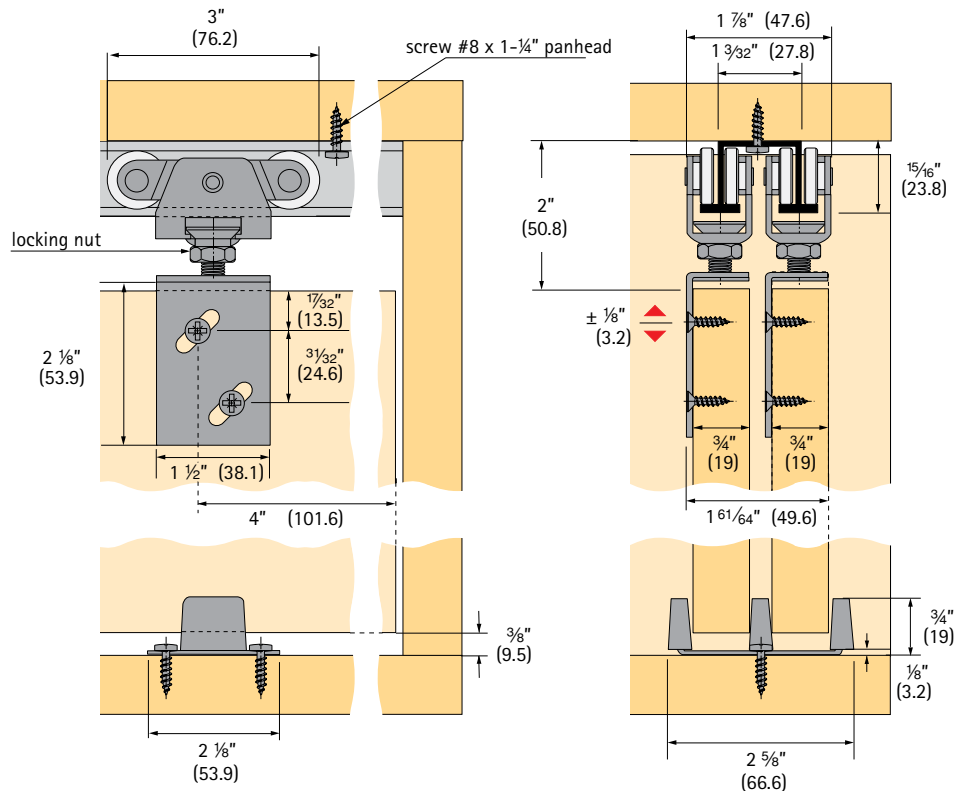
up to 150 lbs/door (68 kg/door), double track
for door thickness $\frac{3}{4}$ " (19 mm), side mount, adjustable



Top Line Grant 72-034

A medium duty commercial and residential grade sliding door hardware series ideal for by-passing installations. Applications include doors between rooms, closet doors, cabinets, storage walls and partitions.

- For $\frac{3}{4}$ " doors weighing up to 150 lbs (68 kg), optional nylon wheel carrier up to 100 lbs (45 kg)
- High quality precision ball-bearing wheels for quiet and effortless performance
- Heavy duty aluminum Double I-beam track; jump proof design
- Pivoting rocker arms ensure track-carrier contact.
- Ball and socket suspension compensates for minor header misalignment.
- Lock nut guarantees permanent positioning.
- Serrations in apron permit vertical adjustment.
- Conforms to ANSI/BHMA standards, Grade 1
- Made in USA



Technical specifications are subject to change without notice

Specifications:

Mounting: Side
 Adjustment: ¼" (6.4 mm) vertical
 Door thickness: ¾" (19 mm)
 Headroom: 1⅞" (47.6 mm) min., 2⅞" (53.9 mm) max
 Application: By-passing

Top Line Grant 72-034 door hardware is available in four purchasing options**Option I**

Complete package: includes track, hardware set, and all screws

Hardware and track

Length	Order no.	PU
4' (1200 mm)	113 335 1	5 sets
6' (1800 mm)	113 335 2	5 sets
8' (2400 mm)	113 335 3	5 sets

For longer track application order hardware set and track separately

Option II

Track only

Double track 7002

Aluminum extruded, pre-drilled holes



Length	Order no.	PU
4' (1200 mm)	050 526	5
5' (1500 mm)	050 527	5
6' (1800 mm)	050 528	5
8' (2400 mm)	050 529	5
10' (3000 mm)	050 530	5
12' (3600 mm)	050 531	5
16' (4800 mm)	050 532	5

Screws not included - recommend #8 Pan Head

Tracks 8' and under are notched at one end for easy access

Option III

Hardware set only

Top Line Grant 72-034 hardware set (without track)

The hardware set includes:

- 4 carriers 7000 precision ball bearing wheels
- 4 aprons 7034
- 1 floor guide 116
- 1 wrench
- necessary screws
- installation instructions

Article	Order no.	PU
Hardware set	113 335 0	10 sets

Option IV

Separate components

Top Line Grant 72-034 components**Carrier 7000 ball bearing**

Steel, precision ball bearing wheels, up to 150 lbs/door (68 kg/door)



Finish	Order no.	PU
zinc-plated	113 333 9	100

Apron 7034

Cold rolled steel, ¾" offset, adjustable

Screws included



Finish	Order no.	PU
zinc-plated	050 563	100

Floor guide 116

Steel/Nylon

Screws included



Finish	Order no.	PU
zinc-plated	050 103	50

Optional parts (not included in set)**Carrier 7000 nylon**

Steel, wheel nylon, up to 100 lbs/door (45 kg/door)



Finish	Order no.	PU
zinc-plated	113 333 8	100

Bumper stop 7014

Steel, track mounted, rubber stop, 2 required per track



Finish	Order no.	PU
zinc-plated	050 561	20