

4ASR SERIES

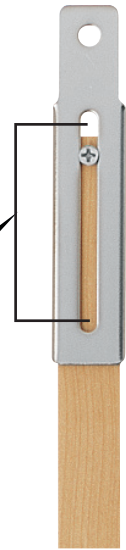
ADJUSTABLE DOOR MOUNT SPICE RACK

Add space, flexibility and convenience with Rev-A-Shelf's Adjustable Door Mount Spice Rack. This beautiful maple hardwood rack is available for Wall 15", 18" and 21" cabinets. The 4ASR Series features adjustable shelves, a UV-Cured clear finish, and generous shelf space to house spice bottles up to 2 1/4" diameter.

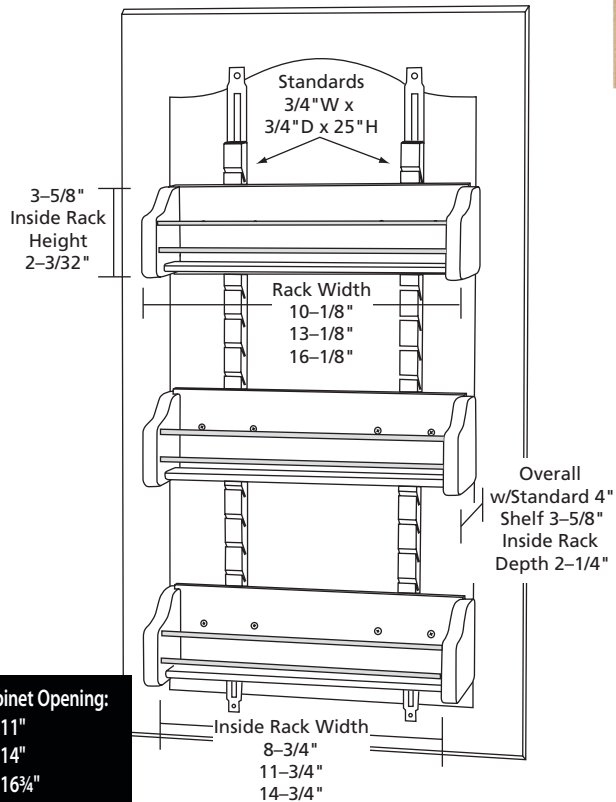


Our storage organizers include patented brackets that offer up to an extra 5" of mounting adjustability. The AMB attachment is designed to extend mounting options to the thick portion of the door increasing installation flexibility and eliminating the need for sub-door panels.

US PATENT NO: 7,204,569



Up to 5" of adjustability, just loosen screws, adjust, then retighten.



Bracket on back of shelf for attaching to standards

Minimum Cabinet Opening:

- 4ASR-15 11"
- 4ASR-18 14"
- 4ASR-21 16 3/4"

WALL ACCESSORIES

REV-A-SHELF
Wood Classics™

PRODUCT #s	DESCRIPTION	PRODUCT DIMENSIONS	FINISH	SET PER CARTON	WEIGHT PER CARTON	SUGGESTED LIST PRICE
Adjustable Door Mount Spice Rack				Individual Pack		
4ASR-15	Wall 15 Adjustable Door Mount Spice Rack	10 1/8" (257 mm)W x 4" (102 mm)D x 25" (635 mm)H	Wood	1	4 lbs.	\$89.05
4ASR-18	Wall 18 Adjustable Door Mount Spice Rack	13 1/8" (333 mm)W x 4" (102 mm)D x 25" (635 mm)H	Wood	1	5 lbs.	\$110.05
4ASR-21	Wall 21 Adjustable Door Mount Spice Rack	16 1/8" (410 mm)W x 4" (102 mm)D x 25" (635 mm)H	Wood	1	6 lbs.	\$131.25
Door Mount Spice Rack Components				Bulk Pack		
4ASR-25STD-20	25" Door Mount Spice Rack Standards		Wood	20	10 lbs.	\$9.70 ea.
4ASR-31STD-20	31" Door Mount Spice Rack Standards		Wood	20	12 lbs.	\$10.30 ea.
4ASR-37STD-20	37" Door Mount Spice Rack Standards		Wood	20	14 lbs.	\$11.45 ea.
4ASR-15BIN-10	Wall 15 Bins ONLY	10 1/8" (257 mm)W x 3 3/8" (92 mm)D x 3 3/8" (92 mm)H	Wood	10	11 lbs.	\$23.80 ea.
4ASR-18BIN-10	Wall 18 Bins ONLY	13 1/8" (333 mm)W x 3 3/8" (92 mm)D x 3 3/8" (92 mm)H	Wood	10	13 lbs.	\$32.50 ea.
4ASR-21BIN-10	Wall 21 Bins ONLY	16 1/8" (410 mm)W x 3 3/8" (92 mm)D x 3 3/8" (92 mm)H	Wood	10	15 lbs.	\$38.30 ea.

CONTAINS: (3) Shelves, (2) 25" Slotted Standards and Screws, AMB BRACKETS: US PATENT NO: 7,204,569

Order online at www.OVISONline.com/ras
Please Note: Some items shown may not be in stock, but can be special ordered

OVIS
A Division of WIM Corp.

©230 Jack Burlingame Dr.
Millwood, WV 25262
800-326-6847 Phone
800-755-0856 Fax
www.OVISONline.com

REV-A-SHELF