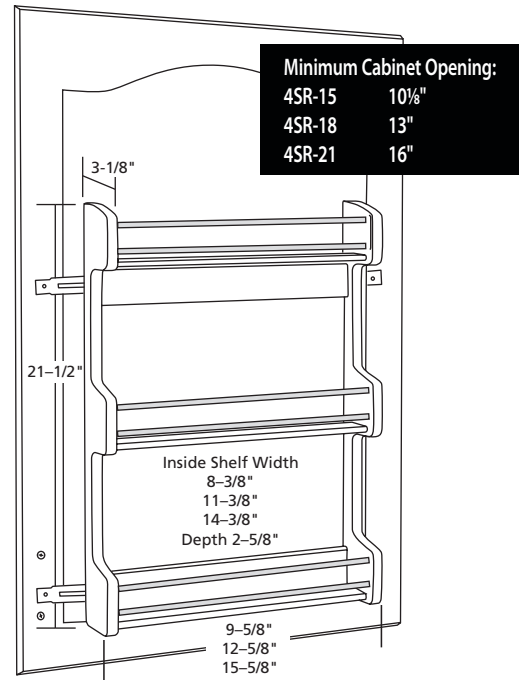


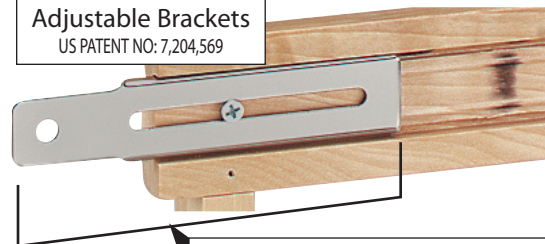
4SR SERIES

DOOR MOUNT SPICE RACK

Maintain shelf space and keep spices within reach with a Wood Classic Door Mount Spice Rack. Made of attractive maple hardwood, this storage saver is available for Wall 15", 18" and 21" cabinets. The 4SR Series features a UV-Cured clear finish that ensures an acceptable match to most cabinets and easily installs with just four screws.



Back View of Adjustable Brackets
US PATENT NO: 7,204,569



Up to 5" of adjustability, just loosen screws, adjust, then retighten.

WALL ACCESSORIES



PRODUCT #'s	DESCRIPTION	PRODUCT DIMENSIONS	FINISH	SET PER CARTON	WEIGHT PER CARTON	SUGGESTED LIST PRICE
Door Mount Spice Rack				Individual Pack		
4SR-15	Wall 15 Door Mount Spice Rack	9" (245 mm)W x 3 1/8" (79 mm)D x 21 1/2" (546 mm)H	Wood	1	3 lbs.	\$44.65
4SR-18	Wall 18 Door Mount Spice Rack	12 3/8" (321 mm)W x 3 1/8" (79 mm)D x 21 1/2" (546 mm)H	Wood	1	4 lbs.	\$53.50
4SR-21	Wall 21 Door Mount Spice Rack	15 3/8" (397 mm)W x 3 1/8" (79 mm)D x 21 1/2" (546 mm)H	Wood	1	5 lbs.	\$62.95

CONTAINS:

(1) Door Mount Spice Rack and 4 Screws, AMB BRACKETS: US PATENT NO: 7,204,569

NOTE:

Height between shelves is 8 3/8" (219 mm)

Order online at www.OVISONline.com/ras
Please Note: Some items shown may not be in stock, but can be special ordered



©230 Jack Burlingame Dr.
Millwood, WV 25262
800-326-6847 Phone
800-755-0856 Fax
www.OVISONline.com

