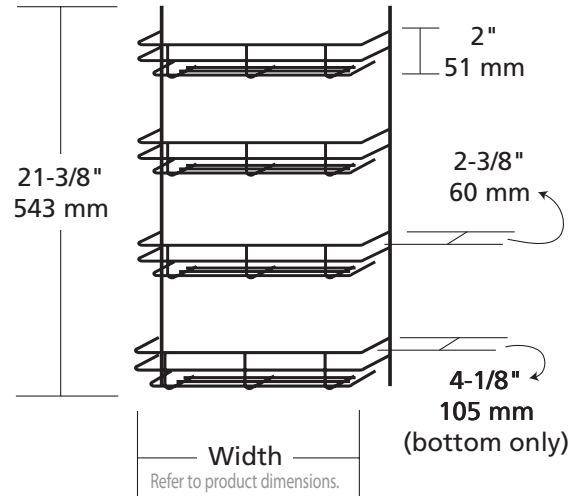


# 565 SERIES

Save space on the shelf by storing spices and canned goods on a Door Mount Spice Rack. The 565 Series is available in three different widths and features three small tiers to hold spices and one larger tier that can accommodate canned goods. The Door Mount Spice Rack is made of heavy-gauge white wire and easily installs with just four screws.



# DOOR MOUNT SPICE RACK



PRODUCT #s	DESCRIPTION	PRODUCT DIMENSIONS	FINISH	SET PER CARTON	WEIGHT PER CARTON	SUGGESTED LIST PRICE
<b>Door Mount Spice Rack</b>			<b>Individual Pack</b>			
565-8-52	Door Mount Spice Rack	7% (200 mm)W x 2 $\frac{3}{8}$ " (61 mm) – 4 $\frac{1}{8}$ " (105 mm)D x 21 $\frac{3}{8}$ " (543 mm)H	White Wire	1	2 lbs.	\$40.45
565-10-52	Door Mount Spice Rack	10% (270 mm)W x 2 $\frac{3}{8}$ " (61 mm) – 4 $\frac{1}{8}$ " (105 mm)D x 21 $\frac{3}{8}$ " (543 mm)H	White Wire	1	2 lbs.	\$46.10
565-14-52	Door Mount Spice Rack	13% (346 mm)W x 2 $\frac{3}{8}$ " (61 mm) – 4 $\frac{1}{8}$ " (105 mm)D x 21 $\frac{3}{8}$ " (543 mm)H	White Wire	1	2 lbs.	\$48.00
<b>Door Mount Spice Rack</b>			<b>Bulk Pack</b>			
565-8	Door Mount Spice Rack	7% (200 mm)W x 2 $\frac{3}{8}$ " (61 mm) – 4 $\frac{1}{8}$ " (105 mm)D x 21 $\frac{3}{8}$ " (543 mm)H	White Wire	20	18 lbs.	\$37.55 ea.
565-10	Door Mount Spice Rack	10% (270 mm)W x 2 $\frac{3}{8}$ " (61 mm) – 4 $\frac{1}{8}$ " (105 mm)D x 21 $\frac{3}{8}$ " (543 mm)H	White Wire	20	26 lbs.	\$43.35 ea.
565-14	Door Mount Spice Rack	13% (346 mm)W x 2 $\frac{3}{8}$ " (61 mm) – 4 $\frac{1}{8}$ " (105 mm)D x 21 $\frac{3}{8}$ " (543 mm)H	White Wire	20	30 lbs.	\$44.65 ea.

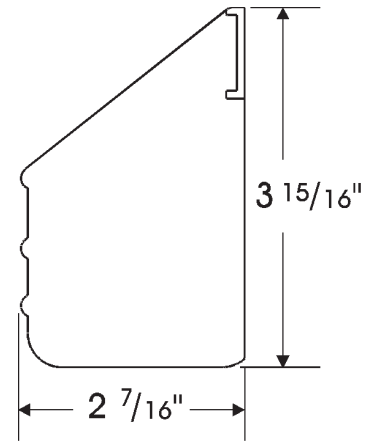
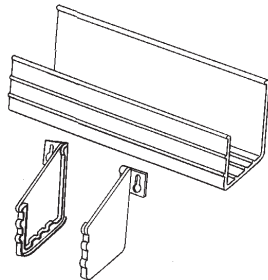
**CONTAINS:**

(1) wire rack, (4) door mount clips and (4) screws

# ST/6571 SERIES

Create more room in cabinets with a Door Mount Spice Rack. The ST/6571 Series is available in 36" or 72" extruded trays that can be cut-to-size. Components include end caps, screws, and adhesive (each sold separately). The Door Mount Spice Racks are available in white or almond colors.

Custom cut trays to length and glue end caps on with Rev-A-Glue. (Included)



PRODUCT #s	DESCRIPTION	PRODUCT DIMENSIONS	FINISH	SET PER CARTON	WEIGHT PER CARTON	SUGGESTED LIST PRICE
<b>Door Mount Spice Rack</b>			<b>Individual Pack</b>			
6571-36-**-4	Trays	36" (914 mm)W x 2 $\frac{7}{16}$ " (62 mm)D x 3 $\frac{15}{16}$ " (100 mm)H	Polymer Trays	20	21 lbs.	\$13.35 ea.
6571-72-**-4	Trays	72" (1829 mm)W x 2 $\frac{7}{16}$ " (62 mm)D x 3 $\frac{15}{16}$ " (100 mm)H	Polymer Trays	20	36 lbs.	\$30.60 ea.
ST-97-**-4	End Caps, Screws			40 Pr.	3.8 lbs.	\$7.10 pr.
6571-60-52	Tube of Adhesive	2 Gram		1	.1 lbs.	\$5.80
6571-61-52	Bottle of Adhesive	1 Ounce		1	.1 lbs.	\$30.45

**NOTE:**

**6571:** Extruded cut-to-size trays, components must be ordered separately.

\*\* Trays Available in two colors—11-White, 15-Almond

Order online at [www.OVISONline.com/ras](http://www.OVISONline.com/ras)  
Please Note: Some items shown may not be in stock, but can be special ordered



©230 Jack Burlingame Dr.  
Millwood, WV 25262  
800-326-6847 Phone  
800-755-0856 Fax

