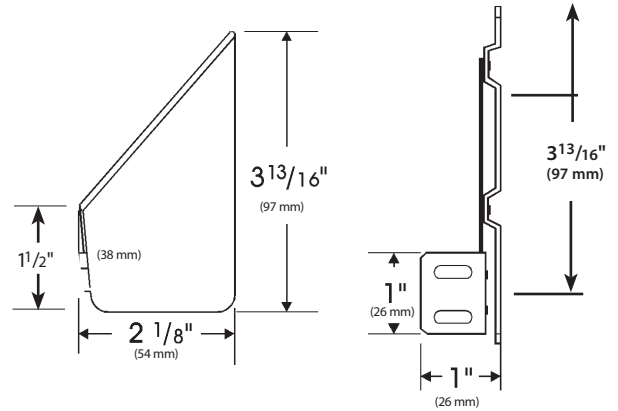


6572/6581/6591 SERIES

SINK FRONT (TIP-OUT) TRAYS

Rev-A-Shelf's most popular Sink Front Tip-Out Tray Set, the 6572 Series includes one conventional open tray, one accessory tray with ring holder and soap dish, and 2 pairs of Self-Holdin® hinges. The 6572 Series is made of high-impact polystyrene and is available in 11" or 14" sizes in white or almond. Trays can be purchased individually without hinges in a bulk 40-tray pack.



SINK & BASE ACCESSORIES

Rev-A-Shelf
Accessible Storage



6572 White



Standard Tray (6581 White)



Accessory Tray (6591 White)

Ring Post

| PRODUCT #s | DESCRIPTION | PRODUCT DIMENSIONS | FINISH | SET PER CARTON | WEIGHT PER CARTON | SUGGESTED LIST PRICE |
|--|---------------------------|---|---------------|----------------|-------------------|------------------------|
| False Front Tip-Out Tray System (Std./Acc.) | | | | | | Individual Pack |
| 6572-11-**-52 | Std/Acc Trays with Hinges | 11" (280 mm)W x 2 1/8" (54 mm)D x 3 13/16" (97 mm)H | Polymer Trays | 1 | 2 lbs. | \$27.55 |
| 6572-14-**-52 | Std/Acc Trays with Hinges | 14" (356 mm)W x 2 1/8" (54 mm)D x 3 13/16" (97 mm)H | Polymer Trays | 1 | 2.3 lbs. | \$27.85 |
| False Front Tip-Out Tray System (Std./Acc.) | | | | | | Bulk Pack |
| 6572-11-**-4 | Std/Acc Trays with Hinges | 11" (280 mm)W x 2 1/8" (54 mm)D x 3 13/16" (97 mm)H | Polymer Trays | 20 | 26 lbs. | \$30.60 ea. |
| 6572-14-**-4 | Std/Acc Trays with Hinges | 14" (356 mm)W x 2 1/8" (54 mm)D x 3 13/16" (97 mm)H | Polymer Trays | 20 | 29 lbs. | \$25.50 ea. |
| False Front Tip-Out Trays | | | | | | Bulk Pack |
| 6581-11-**-4 | Standard Trays | 11" (280 mm)W x 2 1/8" (54 mm)D x 3 13/16" (97 mm)H | Polymer Tray | 40 Trays | 12.1 lbs. | \$5.80 ea. |
| 6581-14-**-4 | Standard Trays | 14" (356 mm)W x 2 1/8" (54 mm)D x 3 13/16" (97 mm)H | Polymer Tray | 40 Trays | 14 lbs. | \$5.80 ea. |
| 6591-11-**-4 | Accessory Trays | 11" (280 mm)W x 2 1/8" (54 mm)D x 3 13/16" (97 mm)H | Polymer Tray | 40 Trays | 13.1 lbs. | \$5.80 ea. |
| 6591-14-**-4 | Accessory Trays | 14" (356 mm)W x 2 1/8" (54 mm)D x 3 13/16" (97 mm)H | Polymer Tray | 40 Trays | 15 lbs. | \$5.80 ea. |

CONTAINS:

6572 Series: Each set has (1) Standard and (1) Accessory tray and 2-pair of Self-Holdin® hinges.

6581 Series: 40 STANDARD molded polymer sink front trays.

6591 Series: 40 ACCESSORY molded polymer trays with ring holder and soap dish.

NOTES:

For use with 2 fronts on sink base cabinet. ** Available colors: 11 White, 15 Almond

Order online at www.OVISonline.com/ras

Please Note: Some items shown may not be in stock, but can be special ordered

OVIS
A Division of WIM Corp. www.OVISonline.com
©230 Jack Burlingame Dr.
Millwood, WV 25262
800-326-6847 Phone
800-755-0856 Fax

