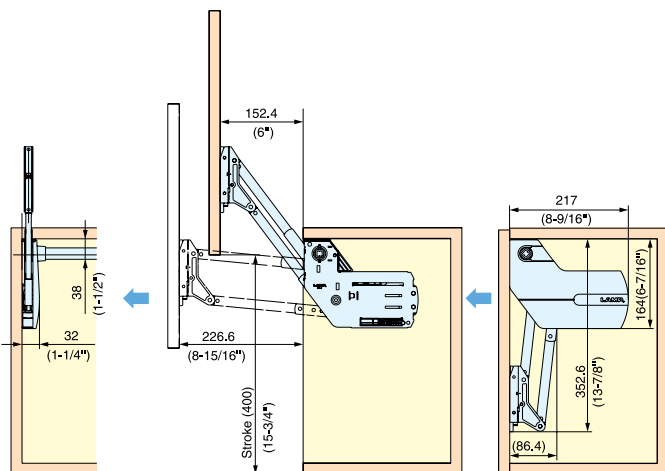


SWING LIFT-UP STAY



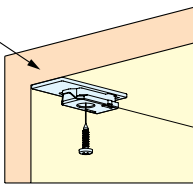
- Lapcon stay for SWING LIFT-UP DOORS.
- Lift-assist mechanism for extra light-opening.
- Door stays in any desired position.
- Damper equipped for soft & silent closing at the end.
- Simple installation by mounting guide plate and slide in main body.
- No hinges are required.
- Connecting bar stays on top for maximum access inside the cabinet.
- Recommended Door Size and Weight :
 - Width, Max. 1500 mm (59")
 - Height, 390~500 mm (15-3/8"-19-11/16")/Door
 - Weight, 5~11 kg (11~24.2 lbs)/Door



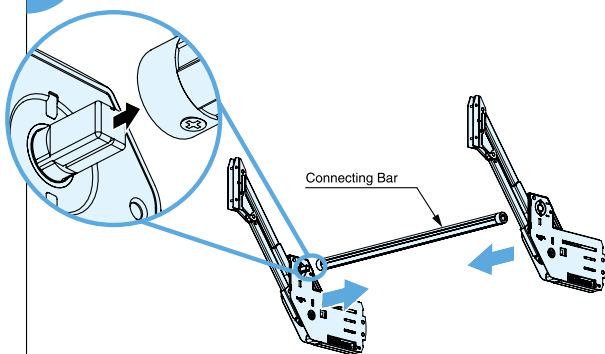
Simple Installation

1 Guide plate installation

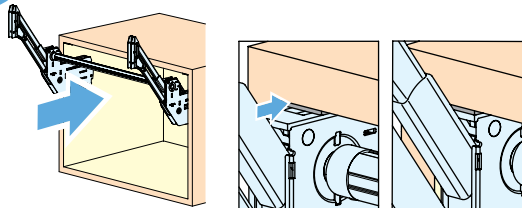
Simply match up to corner



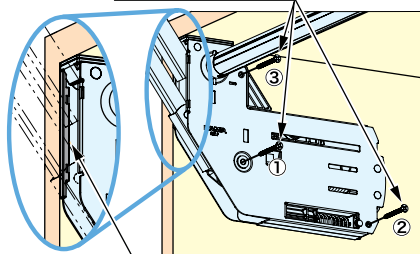
2 Installation preparation



3 Body installation



3 screws secure the body



Simply match up to corner.

SWING LIFT-UP STAY



SLU-ELAN

LID SUPPORTS

SWING LIFT-UP STAY / FACE FRAME BRACKETS

Item No.	Door Weight (kg)	Door Height (mm)	Door Width (mm)	Box	Carton
SLU-ELAN-S4	5 - 6.5 (11 ~14.3 lbs)	390~500* (15-3/8"~19-11/16")	Max. 1500 (59")	1 set	5 set
SLU-ELAN-L4	6.5- 8 (14.3~17.6 lbs)				
SLU-ELAN-M4	8 - 9.5 (17.6~20.9 lbs)				
SLU-ELAN-H4	9.5-11 (20.9~24.2 lbs)				

*Min. inside cabinet height is 360mm (14-3/16")
 *Door weight includes handle.

■ Connecting Bar (Sold separately)

Item No.	Cabinet Width (mm)	Inside Dimensions (mm)
ELB- 480	600 (23-5/8")	556- 566 (21-7/8"~22-1/4")
ELB- 780	900 (35-1/2")	856- 866 (33-3/4"~34-1/8")
ELB-1080	1200 (47-1/4")	1156-1166 (45-1/2"~45-7/8")
ELB-1380	1500 (59")	1456-1466 (57-5/16"~57-3/4")

*Please specify the cabinet width when ordering.

FACE FRAME BRACKETS

- Bracket(s) are available to be used with below items on face frame cabinet.
- Screw set included in each set.
- *Detailed information is shown on the following two pages.

